



L I E F E R P R O G R A M M

Schneidringverschraubungen

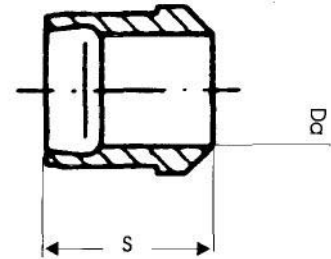




Schneidring

DIN 3861

RE 500

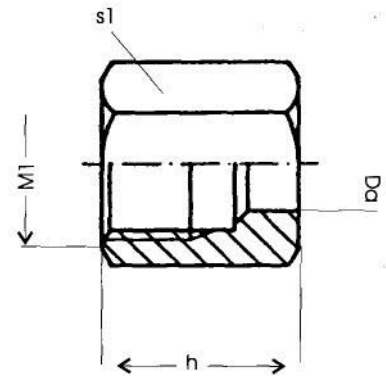


	PN	Da	S	RE-No.	
LL	100	4	6,0	RE-D-04LL	
		6	7,0	RE-D-06LL	
		8	7,0	RE-D-08LL	
L	250	6	9,5	RE-D-06L	
		8	9,5	RE-D-08L	
		10	10,0	RE-D-10L	
		12	10,0	RE-D-12L	
		15	10,0	RE-D-15L	
	160	18	10,0	RE-D-18L	
		22	10,5	RE-D-22L	
	100	28	10,5	RE-D-28L	
		35	13,0	RE-D-35L	
		42	13,5	RE-D-42L	
	S	630	6	9,5	RE-D-06S
			8	9,5	RE-D-08S
10			10,0	RE-D-10S	
12			10,0	RE-D-12S	
14			10,0	RE-D-14S	
400		16	10,5	RE-D-16S	
		20	12,5	RE-D-20S	
		25	12,5	RE-D-25S	
250		30	13,0	RE-D-30S	
		38	13,5	RE-D-38S	



Überwurfmutter DIN 3870

RE 501



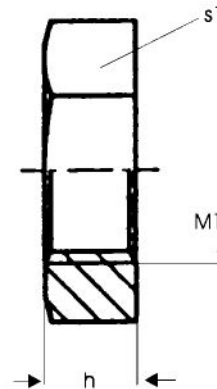
	PN	Da	M1	h	s1	RE-No.
LL	100	4	M8 x 1	11,0	10	RE-M-04LL
		6	M10 x 1	11,5	12	RE-M-06LL
		8	M12 x 1	12,0	14	RE-M-08LL
L	250	6	M12 x 1,5	14,5	14	RE-M-06L
		8	M14 x 1,5	14,5	17	RE-M-08L
		10	M16 x 1,5	15,5	19	RE-M-10L
		12	M18 x 1,5	15,5	22	RE-M-12L
		15	M22 x 1,5	17,0	27	RE-M-15L
	160	18	M26 x 1,5	18,0	32	RE-M-18L
		22	M30 x 2	20,0	36	RE-M-22L
	100	28	M36 x 2	21,0	41	RE-M-28L
		35	M45 x 2	24,0	50	RE-M-35L
42		M52 x 2	24,0	60	RE-M-42L	
S	630	6	M14 x 1,5	16,5	17	RE-M-06S
		8	M16 x 1,5	16,5	19	RE-M-08S
		10	M18 x 1,5	17,5	22	RE-M-10S
		12	M20 x 1,5	17,5	24	RE-M-12S
		14	M22 x 1,5	20,5	27	RE-M-14S
	400	16	M24 x 1,5	20,5	30	RE-M-16S
		20	M30 x 2	24,0	36	RE-M-20S
		25	M36 x 2	27,0	46	RE-M-25S
	250	30	M42 x 2	29,0	50	RE-M-30S
		38	M52 x 2	32,5	60	RE-M-38S



**Sechskantmutter für
Schottverschraubungen**

Nach DIN 80 705 für Schottverschraubungen

RE 502



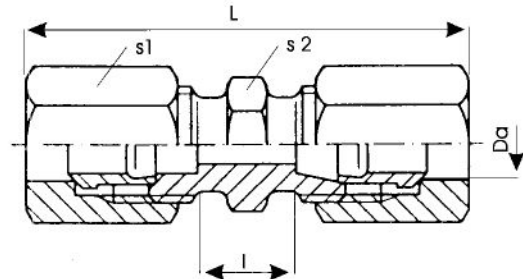
	PN	Da	M1	s1	h	RE-No.
L		6	M 12 x 1,5	17	6	RE-KM-06L-M 12 x 1,5
		8	M 14 x 1,5	19	6	RE-KM-08L-M 14 x 1,5
		10	M 16 x 1,5	22	6	RE-KM-10L-M 16 x 1,5
		12	M 18 x 1,5	24	6	RE-KM-12L-M 18 x 1,5
		15	M 22 x 1,5	30	7	RE-KM-15L-M 22 x 1,5
		18	M 26 x 1,5	36	8	RE-KM-18L-M 26 x 1,5
		22	M 30 x 2	41	8	RE-KM-22L-M 30 x 2
		28	M 36 x 2	46	9	RE-KM-28L-M 36 x 2
		35	M 45 x 2	55	9	RE-KM-35L-M 45 x 2
		42	M 52 x 2	65	10	RE-KM-42L-M 52 x 2
S		6	M 14 x 1,5	19	6	RE-KM-06S-M 14 x 1,5
		8	M 16 x 1,5	22	6	RE-KM-08S-M 16 x 1,5
		10	M 18 x 1,5	24	6	RE-KM-10S-M 18 x 1,5
		12	M 20 x 1,5	27	7	RE-KM-12S-M 20 x 1,5
		14	M 22 x 1,5	30	7	RE-KM-14S-M 22 x 1,5
		16	M 24 x 1,5	32	7	RE-KM-16S-M 24 x 1,5
		20	M 30 x 2	41	8	RE-KM- 20S-M 30 x 2
		25	M 36 x 2	46	9	RE-KM- 25S-M 36 x 2
		30	M 42 x 2	50	9	RE-KM- 30S-M 42 x 2
		38	M 52 x 2	65	10	RE-KM- 38S-M 52 x 2



Gerade Verschraubung

Form **E**

RE 505



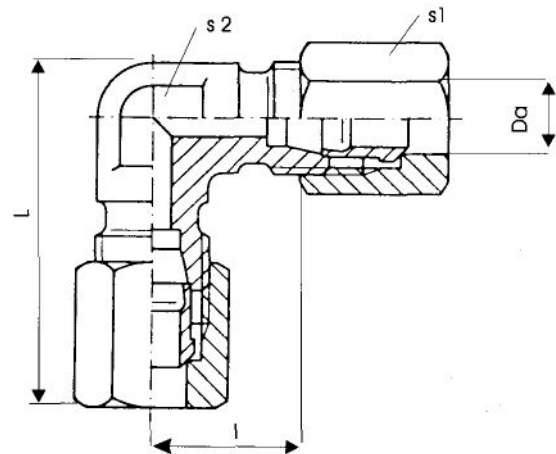
	PN	Da	S1	s2	L	l	RE-No.
LL	100	4	10	9	31	12	RE-GV- 04LL
		6	12	11	32	9	RE-GV- 06LL
		8	14	12	35	12	RE-GV- 08LL
L	250	6	14	12	39	10	RE-GV- 06L
		8	17	14	40	11	RE-GV- 08L
		10	19	17	42	13	RE-GV-10L
		12	22	19	43	14	RE-GV-12L
		15	27	24	46	16	RE-GV-15L
	160	18	32	27	48	16	RE-GV-18L
		22	36	32	52	20	RE-GV- 22L
	100	28	41	41	54	21	RE-GV- 28L
		35	50	46	63	20	RE-GV- 35L
		42	60	55	66	21	RE-GV- 42L
S	630	6	17	14	45	16	RE-GV- 06S
		8	19	17	47	18	RE-GV- 08S
		10	22	19	49	17	RE-GV-10S
		12	24	22	51	19	RE-GV-12S
		14	27	24	57	22	RE-GV-14S
	400	16	30	27	57	21	RE-GV-16S
		20	36	32	66	23	RE-GV- 20S
		25	46	41	74	26	RE-GV- 25S
	250	30	50	46	80	27	RE-GV- 30S
		38	60	55	90	29	RE-GV- 38S



Winkel-Verschraubung

Form K

RE 506



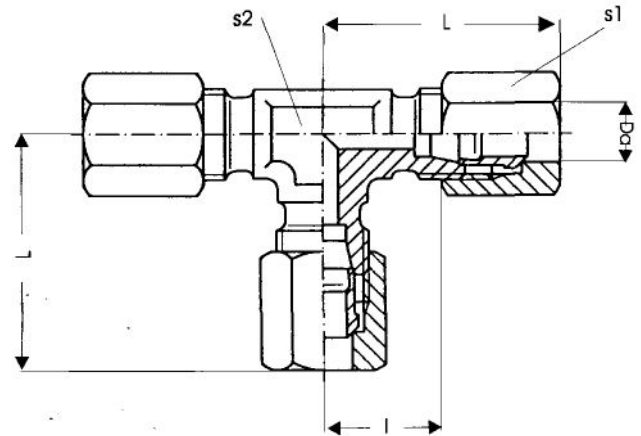
	PN	Da	S1	s2	L	I	RE-No.
LL	100	4	10	9	21	11,0	RE-WV- 04LL
		6	12	9	21	9,5	RE-WV- 06LL
		8	14	12	23	11,5	RE-WV- 08LL
L	250	6	14	12	27	12,0	RE-WV- 06L
		8	17	12	29	14,0	RE-WV- 08L
		10	19	14	30	15,0	RE-WV-10L
		12	22	17	32	17,0	RE-WV-12L
		15	27	19	36	21,0	RE-WV-15L
	160	18	32	24	40	23,5	RE-WV-18L
		22	36	27	44	27,5	RE-WV- 22L
	100	28	41	36	47	30,5	RE-WV- 28L
		35	50	41	56	34,5	RE-WV- 35L
		42	60	50	63	40,0	RE-WV- 42L
S	630	6	17	12	31	16,0	RE-WV-06S
		8	19	14	32	17,0	RE-WV- 08S
		10	22	17	34	17,5	RE-WV- 10S
		12	24	17	38	21,5	RE-WV-12S
		14	27	19	40	22,0	RE-WV-14S
	400	16	30	24	43	24,5	RE-WV-16S
		20	36	27	48	26,5	RE-WV- 20S
		25	46	36	54	30,0	RE-WV- 25S
	250	30	50	41	62	35,5	RE-WV- 30S
		38	60	50	72	41,0	RE-WV- 38S



T-Verschraubung

Form **Q**

RE 507



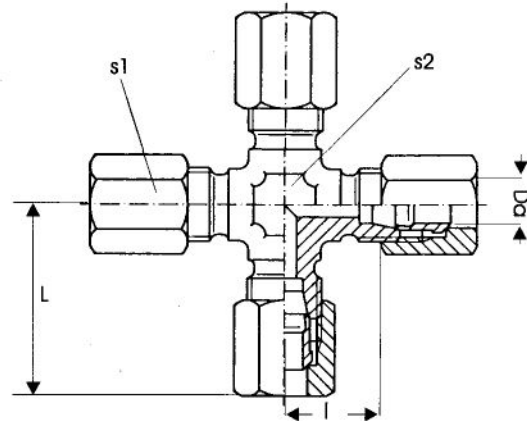
	PN	Da	S1	s2	L	1	RE-No.	
LL	100	4	10	9	21	11,0	RE-7V- 04LL	
		6	12	9	21	9,5	RE-7V- 06LL	
		8	14	12	23	11,5	RE-TV- 08LL	
L	250	6	14	12	27	12,0	RE-TV- 06L	
		8	17	12	29	14,0	RE-TV- 08L	
		10	19	14	30	15,0	RE-TV-10L	
		12	22	17	32	17,0	RE-TV-12L	
		15	27	19	36	21,0	RE-TV-15L	
	160	18	32	24	40	23,5	RE-TV-18L	
		22	36	27	44	27,5	RE-TV- 22L	
	100	28	41	36	47	30,5	RE-TV- 28L	
		35	50	41	56	34,5	RE-TV- 35L	
		42	60	50	63	40,0	RE-TV- 42L	
	S	630	6	17	12	31	16,0	RE-TV- 06S
			8	19	14	32	17,0	RE-TV- 08S
10			22	17	34	17,5	RE-TV-10S	
12			24	17	38	21,5	RE-TV-12S	
14			27	19	40	22,0	RE-TV-14S	
400		16	30	24	43	24,5	RE-TV-16S	
		20	36	27	48	26,5	RE-TV- 20S	
		25	46	36	54	30,0	RE-TV- 25S	
250		30	50	41	62	35,5	RE-TV- 30S	
		38	60	50	72	41,0	RE-TV- 38S	



Kreuz-Verschraubung

Form Z

RE 508



	PN	Da	s1	s2	L	I	RE-No.
LL	100	4	10	9	21	11,0	RE-KV- 04LL
		6	12	9	21	9,5	RE-KV- 06LL
		8	14	12	23	11,5	RE-KV- 08LL
L	250	6	14	12	27	12,0	RE-KV- 06L
		8	17	12	29	14,0	RE-KV- 08L
		10	19	14	30	15,0	RE-KV-10L
		12	22	17	32	17,0	RE-KV-12L
		15	27	19	36	21,0	RE-KV-15L
	160	18	32	24	40	23,5	RE-KV-18L
		22	36	27	44	27,5	RE-KV- 22L
	100	28	41	36	47	30,5	RE-KV- 28L
		35	50	41	56	34,5	RE-KV- 35L
		42	60	50	63	40,0	RE-KV- 42L
S	630	6	17	12	31	16,0	RE-KV- 06S
		8	19	14	32	17,0	RE-KV- 08S
		10	22	17	34	17,5	RE-KV-10S
		12	24	17	38	21,5	RE-KV-12S
		14	27	19	40	22,0	RE-KV-14S
	400	16	30	24	43	24,5	RE-KV-16S
		20	36	27	48	26,5	RE-KV- 20S
		25	46	36	54	30,0	RE-KV- 25S
	250	30	50	41	62	35,5	RE-KV- 30S
		38	60	50	72	41,0	RE-KV- 38S



Gerade Einschraubverschraubung

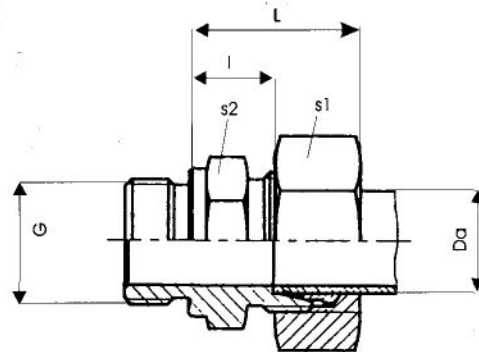
Form **D**

Einschraubgewinde :

Whitworth-Rohrgewinde (zylindr. DIN ISO 228)

Abdichtung durch Dichtkante, Form B, nach DIN 3852

RE 510



	PN	Da	G	s1	s2	L	I	RE-No.	
L	250	6	G 1/8 A	14	14	23,0	8,5	RE-GEV-06L-R 1/8"	
		6	G 1/4 A	14	19	24,5	10,0	RE-GEV-06L-R 1/4"	
		6	G 3/8 A	14	22	26,0	11,5	RE-GEV-06L-R 3/8"	
		6	G 1/2 A	14	27	26,5	12,0	RE-GEV-06L-R 1/2"	
		8	G 1/8 A	17	14	23,5	8,5	RE-GEV-08L-R 1/8"	
		8	G 1/4 A	17	19	25,0	10,0	RE-GEV-08L-R 1/4"	
		8	G 3/8 A	17	22	26,0	11,5	RE-GEV-08L-R 3/8"	
		8	G 1/2 A	17	27	26,5	12,0	RE-GEV-08L-R 1/2"	
		10	G 1/8 A	19	17	25,5	11,5	RE-GEV-10L-R 1/8"	
		10	G 1/4 A	19	19	26,0	12,0	RE-GEV-10L-R 1/4"	
		10	G 3/8 A	19	22	27,5	12,5	RE-GEV-10L-R 3/8"	
		10	G 1/2 A	19	27	29,0	14,0	RE-GEV-10L-R 1/2"	
		12	G 1/8 A	22	19	25,5	10,5	RE-GEV-12L-R 1/8"	
		12	G 1/4 A	22	19	26,0	11,0	RE-GEV-12L-R 1/4"	
		12	G 3/8 A	22	22	27,5	12,5	RE-GEV-12L-R 3/8"	
	12	G 1/2 A	22	27	28,0	13,0	RE-GEV-12L-R 1/2"		
	15	G 1/4 A	27	24	28,0	13,0	RE-GEV-15L-R 1/4"		
	15	G 3/8 A	27	24	28,5	13,5	RE-GEV-15L-R 3/8"		
	15	G 1/2 A	27	27	29,0	14,0	RE-GEV-15L-R 1/2"		
	15	G 3/4 A	27	32	30,0	15,0	RE-GEV-15L-R 3/4"		
		160	18	G 3/8 A	32	27	31,0	14,5	RE-GEV-18L-R 3/8"
			18	G 1/2 A	32	27	31,0	14,5	RE-GEV-18L-R 1/2"
			18	G 3/4 A	32	32	31,0	14,5	RE-GEV-18L-R 3/4"
			22	G 1/2 A	36	32	33,0	16,5	RE-GEV-22L-R 1/2"
			22	G 3/4 A	36	32	33,0	16,5	RE-GEV-22L-R 3/4"
			22	G 1 A	36	41	34,0	17,5	RE-GEV-22L-R 1"
		100	28	G 1/2 A	41	41	33,0	17,5	RE-GEV-28L-R 1/2"
			28	G 3/4 A	41	41	33,0	17,5	RE-GEV-28L-R 3/4"
			28	G 1 A	41	41	34,0	17,5	RE-GEV-28L-R 1"
			28	G 1 1/4 A	41	50	35,0	18,5	RE-GEV-28L-R 1 1/4"
			35	G 1/2 A	50	46	37,0	17,5	RE-GEV-35L-R 1/2"
			35	G 3/4 A	50	46	38,0	17,5	RE-GEV-35L-R 3/4"
			35	G 1 A	50	46	38,0	17,5	RE-GEV-35L-R 1"
			35	G 1 1/4 A	50	50	39,0	17,5	RE-GEV-35L-R 1 1/4"
			35	G 1 1/2 A	50	55	41,0	19,5	RE-GEV-35L-R1 1/2"
			42	G 1 A	60	55	39,0	16,0	RE-GEV-42L-R 1"
	42		G 1 1/4 A	60	55	40,0	19,0	RE-GEV-42L-R 1 1/4"	
	42	G 1 1/2 A	60	55	42,0	19,0	RE-GEV-42L-R1 1/2"		



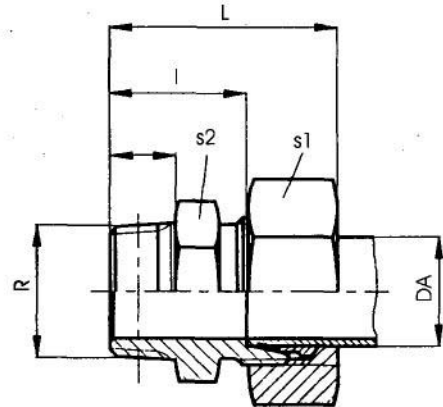
Gerade Einschraubverschraubung

Form **B**

Einschraubgewinde:

Whitworth-Rohrgew. (kegelig DIN 3858)

RE 510



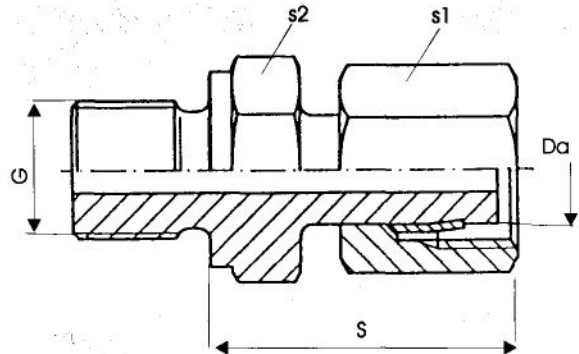
	PN	Da	R	s1	s2	L	1	RE-No.
LL	100	4	R 1/8 keg.	10	11	25,5	16,0	RE-GEV-04LL-R1/8"K
		6	R 1/8 keg.	12	11	26,0	14,5	RE-GEV-06LL-R1/8"K
		8	R 1/8 keg.	14	12	28,0	16,5	RE-GEV-08LL-R1/8"K
		10	R 1/4 keg.	19	17	36,0	21,0	RE-GEV-10LL-R1/4X
L	250	6	R 1/8 keg.	14	12	30,5	16,0	RE-GEV-06L-R1/8"K
		6	R 1/4 keg.	14	14	34,5	20,0	RE-GEV-06L-R1/4"K
		6	R 3/8 keg.	14	19	33,5	19,0	RE-GEV-06L-R3/8"K
		6	R 1/2 keg.	14	22	35,5	21,0	RE-GEV-06L-R1/2"K
		8	R 1/4 keg.	17	14	35,0	20,0	RE-GEV-08L-R1/4"K
		8	R 3/8 keg.	17	19	34,5	20,0	RE-GEV-08L-R3/8"K
		8	R 1/2 keg.	17	22	36,5	22,0	RE-GEV-08L-R1/2"K
		10	R 1/4 keg.	19	17	36,0	21,0	RE-GEV-10L-R1/4"K
		10	R 3/8 keg.	19	17	36,0	21,0	RE-GEV-10L-R3/8"K
		10	R 1/2 keg.	19	22	38,5	23,0	RE-GEV-10L-R1/2"K
		12	R 3/8 keg.	22	19	37,0	22,0	RE-GEV-12L-R3/8"K
		12	R 1/2 keg.	22	22	39,0	24,5	RE-GEV-12L-R1/2"K
		15	R 1/2 keg.	27	24	40,0	25,0	RE-GEV-15L-R1/2"K
			160	18	R 1/2 keg.	32	27	42,0



Einschraubverschraubung mit Schaft

Form CB
Schaft vormontiert
Einschraubgewinde: Whitworth-Rohrgew.
(zylindr. DIN ISO 228)

RE 510



	PN	Da	G	s1	s2	S	RE-No.
L	250	6	G 1/8 A	14	14	24,5	RE-EVGEV-06L-R 1/8"
		8	G 1/4 A	17	19	29,0	RE-EVGEV-08L-R 1/4"
		10	G 1/4 A	19	19	27,5	RE-EVGEV-10L-R 1/4"
		12	G 1/4 A	22	19	27,5	RE-EVGEV-12L-R 1/4"
		12	G 3/8 A	22	22	34,0	RE-EVGEV-12L-R 3/8"
		15	G 1/2 A	27	27	32,0	RE-EVGEV-15L-R 1/2"
	160	18	G 1/2 A	32	27	31,5	RE-EVGEV-18L-R 1/2"
		22	G 3/4 A	36	32	32,5	RE-EVGEV-22L-R 3/4"
	100	28	G 1 A	41	41	35,0	RE-EVGEV-28L-R 1"
		35	G 1 1/4 A	50	50	42,5	RE-EVGEV-35L-R 1 1/4"
42		G 1 1/2 A	60	55	44,5	RE-EVGEV-42L-R 1 1/2"	
S	630	6	G 1/4 A	17	19	27,0	RE-EVGEV-06S-R 1/4"
		8	G 1/4 A	19	19	29,0	RE-EVGEV-08S-R 1/4"
		10	G 3/8 A	22	22	31,5	RE-EVGEV-10S-R 3/8"
		12	G 3/8 A	24	22	34,0	RE-EVGEV-12S-R 3/8"
		12	G 1/2 A	24	27	34,5	RE-EVGEV-12S-R 1/2"
		14	G 1/2 A	27	27	36,5	RE-EVGEV-14S-R 1/2"
	400	16	G 1/2 A	30	27	36,5	RE-EVGEV-16S-R 1/2"
		16	G 3/4 A	30	32	39,0	RE-EVGEV-16S-R 3/4"
		20	G 3/4 A	36	32	43,0	RE-EVGEV-20S-R 3/4"
		25	G 1 A	46	41	48,0	RE-EVGEV-25S-R 1"
	250	30	G 1 A	50	41	50,0	RE-EVGEV-30S-R 1"
		30	G 1 1/4 A	50	50	50,5	RE-EVGEV-30S-R 1 1/4"
		38	G 1 1/2 A	60	55	58,0	RE-EVGEV-38S-R 1 1/2"



Gerade Einschraubverschraubung

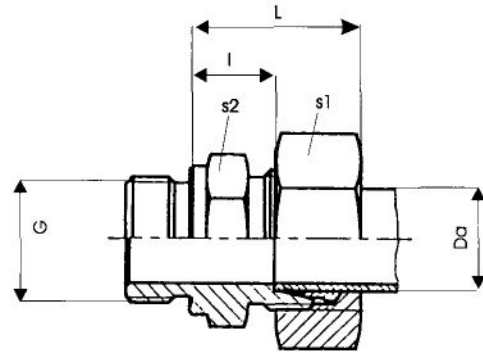
Form **D**

Einschraubgewinde :

Whitworth-Rohrgewinde (zylindr. DIN ISO 228)

Abdichtung durch Dichtkante, Form B, nach DIN 3852

RE 510



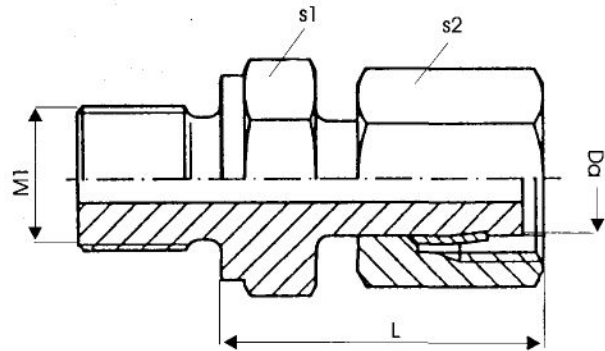
	PN	Da	G	s1	s2	L	I	RE-No.	
S	630	6	G 1/8 A	17	14	26,0	12,5	RE-GEV-06S-R 1/8"	
		6	G 1/4 A	17	19	28,0	13,0	RE-GEV-06S-R 1/4"	
		6	G 3/8 A	17	22	30,0	15,5	RE-GEV-06S-R 3/8"	
		6	G 1/2 A	17	27	33,0	18,0	RE-GEV-06S-R 1/2"	
		6	G 3/4 A	17	32	35,0	20,0	RE-GEV-06S-R 3/4"	
		8	G 1/4 A	19	19	30,0	15,0	RE-GEV-08S-R 1/4"	
		8	G 3/8 A	19	22	30,5	15,5	RE-GEV-08S-R 3/8"	
		8	G 1/2 A	19	27	33,0	18,0	RE-GEV-08S-R 1/2"	
		10	G 1/4 A	22	19	30,5	14,5	RE-GEV-10S-R 1/4"	
		10	G 3/8 A	22	22	31,0	15,0	RE-GEV-10S-R 3/8"	
		10	G 1/2 A	22	27	33,5	17,5	RE-GEV-10S-R 1/2"	
		12	G 1/4 A	24	22	33,0	16,5	RE-GEV-12S-R 1/4"	
		12	G 3/8 A	24	22	33,0	17,0	RE-GEV-12S-R 3/8"	
		12	G 1/2 A	24	27	33,5	17,5	RE-GEV-12S-R 1/2"	
		12	G 3/4 A	24	32	34,0	17,5	RE-GEV-12S-R 3/4"	
		14	G 1/4 A	27	24	34,0	16,0	RE-GEV-14S-R 1/4"	
		14	G 3/8 A	27	24	37,0	18,5	RE-GEV-14S-R 3/8"	
		14	G 1/2 A	27	27	37,0	19,0	RE-GEV-14S-R 1/2"	
	14	G 3/4 A	27	32	39,0	21,0	RE-GEV-14S-R 3/4"		
	14	G 1 A	27	41	41,0	23,0	RE-GEV-14S-R 1"		
		400	16	G 3/8 A	30	27	35,0	18,0	RE-GEV-16S-R 3/8"
			16	G 1/2 A	30	27	37,0	18,5	RE-GEV-16S-R 1/2"
			16	G 3/4 A	30	32	39,0	20,5	RE-GEV-16S-R 3/4"
			20	G 1/2 A	36	32	42,0	20,5	RE-GEV-20S-R 1/2"
			20	G 3/4 A	36	32	42,0	20,5	RE-GEV-20S-R 3/4"
			20	G 1 A	36	41	44,0	22,5	RE-GEV-20S-R 1"
			20	G 1 1/4 A	36	50	44,0	22,5	RE-GEV-20S-R 1 1/4"
			20	G 1 1/2 A	36	55	47,0	25,5	RE-GEV-20S-R 1 1/2"
			25	G 1/2 A	46	41	47,0	23,0	RE-GEV-25S-R 1/2"
			25	G 3/4 A	46	41	45,0	23,0	RE-GEV-25S-R 3/4"
			25	G 1 A	46	41	47,0	23,0	RE-GEV-25S-R 1"
			25	G 1 1/4 A	46	50	47,0	23,0	RE-GEV-25S-R 1 1/4"
		25	G 1 1/2 A	46	55	50,0	26,0	RE-GEV-25S-R 1 1/2"	
		250	30	G 1 A	50	46	50,0	23,5	RE-GEV-30S-R 1"
			30	G 1 1/4 A	50	50	50,0	23,5	RE-GEV-30S-R 1 1/4"
			30	G 1 1/2 A	50	55	53,0	26,5	RE-GEV-30S-R 1 1/2"
			38	G 1 1/4 A	60	55	54,0	23,0	RE-GEV-38S-R 1 1/4"
			38	G 1 1/2 A	60	55	57,0	26,0	RE-GEV-38S-R 1 1/2"



Einschraubverschraubung mit Schaft

Form CA
Schaft vormontiert
Einschraubgewinde: Metrisch.
(zylindr. DIN 13)

RE 511



	PN	Da	M1	s1	s2	L	RE-No.
L	250	6	M 10 x 1	14	14	24,5	RE-EVGEV-06L-M 10 x 1
		8	M 12 x 1,5	17	17	26,5	RE-EVGEV-08L-M 12 x 1,5
		10	M 14 x 1,5	19	19	27,5	RE-EVGEV-10L-M 14 x 1,5
		12	M 16 x 1,5	22	22	30,5	RE-EVGEV-12L-M 16 x 1,5
		15	M 18 x 1,5	27	24	31,5	RE-EVGEV-15L-M 18 x 1,5
	160	18	M 22 x 1,5	32	27	31,5	RE-EVGEV-18L-M 22 x 1,5
		22	M 26 x 1,5	36	32	32,0	RE-EVGEV-22L-M 26 x 1,5
	100	28	M 33 x 2	41	41	35,0	RE-EVGEV- 28L-M 33 x 2
		35	M 42 x 2	50	50	42,5	RE-EVGEV- 35L-M 42 x 2
		42	M 48 x 2	60	55	46,5	RE-EVGEV- 42L-M 48 x 2
S	630	6	M 12 x 1,5	17	17	27,0	RE-EVGEV-06S-M 12 x 1,5
		8	M 14 x 1,5	19	19	29,5	RE-EVGEV-08S-M 14 x 1,5
		10	M 16 x 1,5	22	22	32,0	RE-EVGEV-10S-M 16 x 1,5
		12	M 18 x 1,5	24	24	34,0	RE-EVGEV-12S-M 18 x 1,5
		14	M 20 x 1,5	27	27	36,5	RE-EVGEV-14S-M 20 x 1,5
	400	16	M 22 x 1,5	30	27	37,0	RE-EVGEV-16S-M 22 x 1,5
		20	M 27 x 2	36	32	43,0	RE-EVGEV-20S-M 27 x 2
		25	M 33 x 2	46	41	48,0	RE-EVGEV-25S-M 33 x 2
	250	30	M 42 x 2	50	50	51,0	RE-EVGEV-30S-M 42 x 2
		38	M 48 x 2	60	55	60,0	RE-EVGEV-38S-M 48 x 2



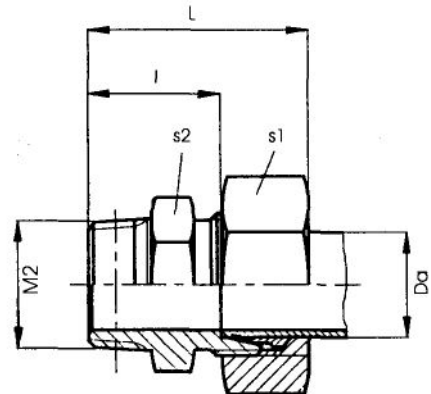
Gerade Einschraubverschraubung

Form **A**

Einschraubgewinde:

Metrisches Gewinde (kegelig DIN 3858)

RE 511



	PN	Da	M2	s1	s2	L	I	RE-No.
LL	100	4	M 8 x 1 keg.	10	10	25,5	16,0	RE-GEV- 04LL-M 8 x 1K
		6	M 10 x 1 keg.	12	11	26,0	14,5	RE-GEV-06LL-M 10 x 1K
		8	M 10 x 1 keg.	14	12	28,0	16,5	RE-GEV-08LL-M 10 x 1K
L	250	6	M 10 x 1 keg.	14	14	30,5	16,0	RE-GEV-06L-M 10 x 1K
		6	M 12 x 1,5 keg.	14	14	34,5	20,0	RE-GEV-06L-M 12 x 1,5K
		8	M 12 x 1,5 keg.	17	14	35,0	20,0	RE-GEV-08L-M 12 x 1,5K
		8	M 14 x 1,5 keg.	17	17	35,0	20,0	RE-GEV-08L-M 14 x 1,5K
		10	M 14 x 1,5 keg.	19	17	36,0	21,0	RE-GEV-10L-M 14 x 1,5K
		10	M 16 x 1,5 keg.	19	17	36,0	21,0	RE-GEV-10L-M 16 x 1,5K
		12	M 16 x 1,5 keg.	22	19	37,0	22,0	RE-GEV-12L-M 16 x 1,5K
		12	M 18 x 1,5 keg.	22	19	39,0	22,0	RE-GEV-12L-M 18 x 1,5K
		15	M 18 x 1,5 keg.	27	24	40,0	23,0	RE-GEV-15L-M 18 x 1,5K
		160	18	M 22 x 1,5 keg.	32	27	42,0	25,5



Gerade Einschraubverschraubung

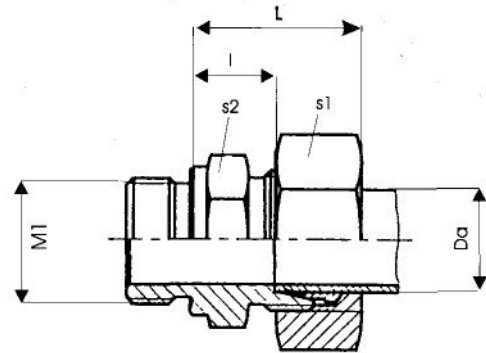
Form **C**

Einschraubgewinde:

metrisch (zylindr. DIN 13)

Abdichtung durch Dichtkante Form B, nach DIN 3852

RE 511



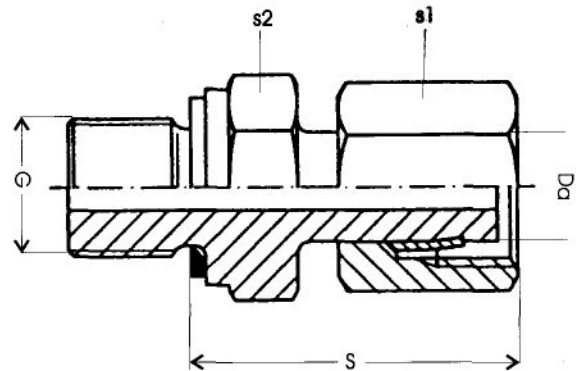
	PN	Da	M1	s1	s2	L	I	RE-No.
L	250	6	M 10 x 1	14	14	23,0	8,5	RE-GEV-06L-M 10 x 1
		8	M 12 x 1,5	17	17	25,0	10,0	RE-GEV-08L-M 12 x 1,5
		10	M12 x 1,5	19	17	26,0	11,0	RE-GEV-10L-M 12 x 1,5
		10	M 14 x 1,5	19	19	26,0	11,0	RE-GEV-10L-M 14 x 1,5
		10	M 16 x 1,5	19	22	27,0	12,5	RE-GEV-10L-M 16 x 1,5
		12	M 16 x 1,5	22	22	27,5	12,5	RE-GEV-12L-M 16 x 1,5
		15	M 18 x 1,5	27	24	28,5	13,5	RE-GEV-15L-M 18 x 1,5
	160	18	M 22 x 1,5	32	27	31,0	14,5	RE-GEV-18L-M 22 x 1,5
		22	M 26 x 1,5	36	32	33,0	16,5	RE-GEV-22L-M 26 x 1,5
	100	28	M 33 x 2	41	41	34,0	17,5	RE-GEV- 28L-M 33 x 2
		35	M 42 x 2	50	50	39,0	17,5	RE-GEV- 35L-M 42 x 2
		42	M 48 x 2	60	55	42,0	19,0	RE-GEV- 42L-M 48 x 2
S	630	6	M 12 x 1,5	17	17	28,0	13,0	RE-GEV-06S-M 12 x 1,5
		6	M 14 x 1,5	17	19	28,0	13,0	RE-GEV-06S-M 14 x 1,5
		8	M 14 x 1,5	19	19	30,0	15,0	RE-GEV-08S-M 14 x 1,5
		10	M 16 x 1,5	22	22	31,0	15,0	RE-GEV-10S-M 16 x 1,5
		12	M 14 x 1,5	24	22	33,0	16,5	RE-GEV-12S-M 14 x 1,5
		12	M 18 x 1,5	24	24	33,0	17,0	RE-GEV-12S-M 18 x 1,5
		14	M 20 x 1,5	27	27	37,0	19,0	RE-GEV-14S-M 20 x 1,5
	400	16	M 22 x 1,5	30	27	37,0	18,5	RE-GEV-16S-M 22 x 1,5
		20	M 27 x 2	36	32	42,0	20,5	RE-GEV- 20S-M 27 x 2
		25	M 33 x 2	46	41	47,0	23,0	RE-GEV- 25S-M 33 x 2
	250	30	M 42 x 2	50	50	50,0	23,5	RE-GEV- 30S-M 42 x 2
		38	M 48 x 2	60	55	57,0	26,0	RE-GEV- 38S-M 48 x 2



**Einschraubverschraubung mit
Schaft und Weichdichtung**

Einschraubgewinde: Whitworth-Rohrgew.
(zylindr. DIN ISO 228)
Abdichtung mit Viton Weichdichtung
(-20 °C bis + 200 °C)

RE 512



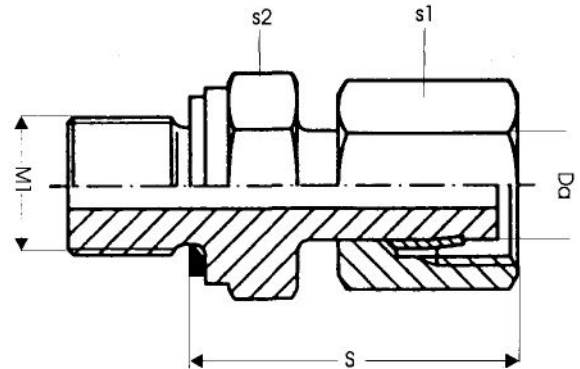
	PN	Da	G	s1	s2	S	RE-No.
L	250	6	G 1/8 A	14	14	24,5	RE-EVGEV-06L-R 1/8" WD
		8	G 1/4 A	17	19	29,0	RE-EVGEV-08L-R 1/4" WD
		10	G 1/4 A	19	19	27,5	RE-EVGEV-10L-R 1/4" WD
		12	G 3/8 A	22	22	34,0	RE-EVGEV-12L-R 3/8" WD
		15	G 1/2 A	27	27	32,0	RE-EVGEV-15L-R 1/2" WD
	160	18	G 1/2 A	32	27	32,5	RE-EVGEV-18L-R 1/2" WD
		22	G 3/4 A	36	32	32,5	RE-EVGEV-22L-R 3/4" WD
	100	28	G 1 A	41	41	35,0	RE-EVGEV-28L-R 1/2" WD
		35	G 1 1/4 A	50	50	42,5	RE-EVGEV-35L-R 1 1/4" WD
		42	G 1 1/2 A	60	55	46,5	RE-EVGEV-42L-R 1 1/2" WD
S	630	6	G 1/4 A	17	19	27,0	RE-EVGEV-06S-R 1/4" WD
		8	G 1/4 A	19	19	29,5	RE-EVGEV-08S-R 1/4" WD
		10	G 3/8 A	22	22	31,0	RE-EVGEV-10S-R 3/8" WD
		12	G 3/8 A	24	22	34,0	RE-EVGEV-12S-R 3/8" WD
		12	G 1/2 A	24	27	34,5	RE-EVGEV-12S-R 1/2" WD
		14	G 1/2 A	27	27	36,5	RE-EVGEV-14S-R 1/2" WD
	400	16	G 1/2 A	30	27	36,5	RE-EVGEV-16S-R 1/2" WD
		16	G 3/4 A	30	32	39,0	RE-EVGEV-16S-R 3/4" WD
		20	G 3/4 A	36	32	43,0	RE-EVGEV-20S-R 3/4" WD
		25	G 1 A	46	41	48,0	RE-EVGEV-25S-R 1" WD
	250	30	G 1 1/4 A	50	50	51,0	RE-EVGEV-30S-R 1 1/4" WD
		38	G 1 1/2 A	60	55	58,0	RE-EVGEV-38S-R 1 1/2" WD



Einschraubverschraubung mit Schaft und Weichdichtung

Einschraubgewinde: Metrisches Gewinde (zylindr. DIN 13)
Abdichtung mit Viton Weichdichtung (-20 °C bis + 200 °C)

RE 513



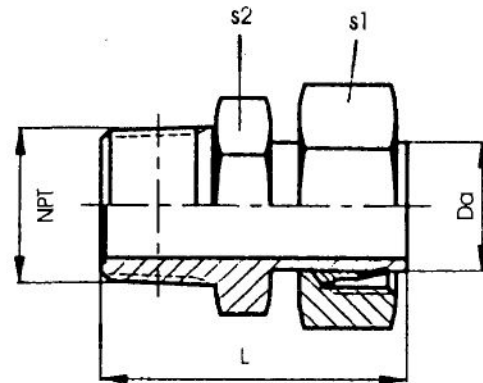
	PN	Da	M1	s1	s2	S	RE-No.
L	250	6	M 10 x 1	14	14	24,5	RE-EVGEV-06L-M 10 x 1 WD
		8	M 12 x 1,5	17	17	26,5	RE-EVGEV-08L-M 12 x 1,5 WD
		10	M 14 x 1,5	19	19	27,5	RE-EVGEV-10L-M 14 x 1,5 WD
		12	M 16 x 1,5	22	22	30,5	RE-EVGEV-12L-M 16 x 1,5 WD
		15	M 18 x 1,5	27	24	31,5	RE-EVGEV-15L-M 18 x 1,5 WD
	160	18	M 22 x 1,5	32	27	31,5	RE-EVGEV-18L-M 22 x 1,5 WD
		22	M 26 x 1,5	36	32	32,5	RE-EVGEV-22L-M 26 x 1,5 WD
	100	28	M 33 x 2	41	41	35,0	RE-EVGEV-28L-M 33 x 2 WD
		35	M 42 x 2	50	50	42,5	RE-EVGEV-35L-M 42 x 2 WD
42		M 48 x 2	60	55	46,5	RE-EVGEV-42L-M 48 x 2 WD	
S	630	6	M 12 x 1,5	17	17	27,0	RE-EVGEV-06S-M 12 x 1,5 WD
		8	M 14 x 1,5	19	19	29,0	RE-EVGEV-08S-M 14 x 1,5 WD
		10	M 16 x 1,5	22	22	32,0	RE-EVGEV-10S-M 16 x 1,5 WD
		12	M 18 x 1,5	24	24	34,0	RE-EVGEV-12S-M 18 x 1,5 WD
		14	M 20 x 1,5	27	27	36,5	RE-EVGEV-14S-M 20 x 1,5 WD
	400	16	M 22 x 1,5	30	27	37,0	RE-EVGEV-16S-M 22 x 1,5 WD
		20	M 27 x 2	36	32	43,0	RE-EVGEV-20S-M 27 x 2 WD
		25	M 33 x 2	46	41	48,0	RE-EVGEV-25S-M 33 x 2 WD
	250	30	M 42 x 2	50	50	51,0	RE-EVGEV-30S-M 42 x 2 WD
		38	M 48 x 2	60	55	60,0	RE-EVGEV-38S-M 48 x 2 WD



Einschraubverschraubung mit Schaft

Schaft vormontiert Einschraubgewinde: NPT

RE 514



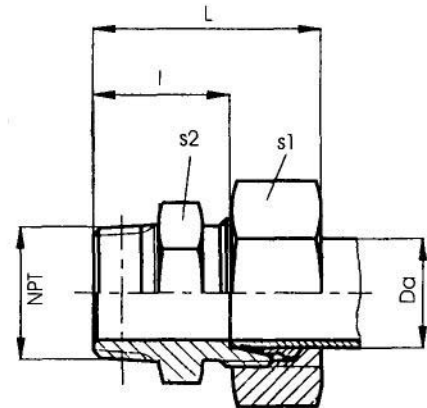
	PN	Da	NPT	s1	s2	L	RE-No.
L	250	6	1/8 NPT	14	11	33,0	RE-EVGEV-06L-NPT 1/8"
		8	1/4 NPT	17	14	40,0	RE-EVGEV-08L-NPT 1/4"
		10	1/4 NPT	19	14	40,5	RE-EVGEV-10L-NPT 1/4"
		12	1/4 NPT	22	14	40,5	RE-EVGEV-12L-NPT 1/4"
		12	3/8 NPT	22	19	44,5	RE-EVGEV-12L-NPT 3/8"
		12	1/2 NPT	22	22	45,5	RE-EVGEV-12L-NPT 1/2"
		15	3/8 NPT	27	19	40,0	RE-EVGEV-15L-NPT 3/8"
		15	1/2 NPT	27	22	48,0	RE-EVGEV-15L-NPT 1/2"
	160	18	1/2 NPT	32	22	47,5	RE-EVGEV-18L-NPT 1/2"
		22	3/4 NPT	36	27	49,0	RE-EVGEV-22L-NPT 3/4"
	100	28	1 NPT	41	36	55,5	RE-EVGEV-28L-NPT 1"
		35	1 1/4 NPT	50	46	62,5	RE-EVGEV-35L-NPT 1 1/4"
		42	1 1/2 NPT	60	50	65,0	RE-EVGEV-42L-NPT 1 1/2"
	S	630	6	1/4 NPT	17	14	40,0
8			1/4 NPT	19	14	40,0	RE-EVGEV-08S-NPT 1/4"
10			1/4 NPT	22	14	44,0	RE-EVGEV-10S-NPT 1/4"
10			3/8 NPT	22	19	44,0	RE-EVGEV-10S-NPT 3/8"
12			1/4 NPT	24	14	44,5	RE-EVGEV-12S-NPT 1/4"
12			3/8 NPT	24	19	44,5	RE-EVGEV-12S-NPT 3/8"
12			1/2 NPT	24	22	50,0	RE-EVGEV-12S-NPT 1/2"
14			1/2 NPT	27	22	53,5	RE-EVGEV-14S-NPT 1/2"
400		16	1/2 NPT	30	22	53,5	RE-EVGEV-16S-NPT 1/2"
		20	3/4 NPT	36	27	58,0	RE-EVGEV-20S-NPT 3/4"
		25	1 NPT	46	36	68,0	RE-EVGEV-25S-NPT 1"
250		30	1 1/4 NPT	50	46	73,5	RE-EVGEV-30S-NPT 1 1/4"
		38	1 1/2 NPT	60	50	78,0	RE-EVGEV-38S-NPT 1 1/2"



Gerade Einschraubverschraubung

Einschraubgewinde:
NPT

RE 514



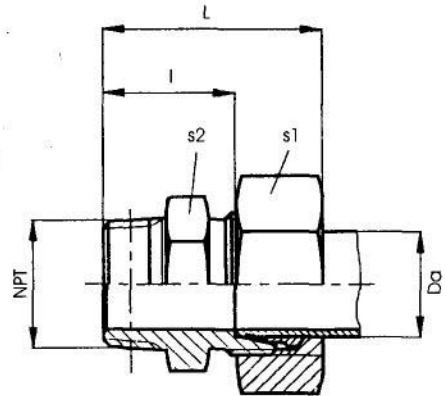
	PN	Da	NPT	s1	s2	L	1	RE-No.		
LL	100	4	1/8 NPT	10	11	28,0	18,0	RE-GEV-04LL-NPT 1/8"		
		6	1/8 NPT	12	11	28,0	16,5	RE-GEV-06LL-NPT 1/8"		
		8	1/8 NPT	14	12	30,0	18,5	RE-GEV-08LL-NPT 1/8"		
L	250	6	1/8 NPT	14	12	31,5	17,0	RE-GEV-06L-NPT 1/8"		
		6	1/4 NPT	14	17	37,5	23,0	RE-GEV-06L-NPT 1/4"		
		6	3/8 NPT	14	19	39,0	24,0	RE-GEV-06L-NPT 3/8"		
		6	1/2 NPT	14	22	43,5	29,0	RE-GEV-06L-NPT 1/2"		
		8	1/8 NPT	17	14	33,0	18,0	RE-GEV-08L-NPT 1/8"		
		8	1/4 NPT	17	17	38,0	23,0	RE-GEV-08L-NPT 1/4"		
		8	3/8 NPT	17	19	39,0	24,0	RE-GEV-08L-NPT 3/8"		
		8	1/2 NPT	17	22	44,0	29,0	RE-GEV-08L-NPT 1/2"		
		10	1/8 NPT	19	17	34,0	19,0	RE-GEV-10L-NPT 1/8"		
		10	1/4 NPT	19	17	39,0	24,0	RE-GEV-10L-NPT 1/4"		
		10	3/8 NPT	19	19	40,0	25,0	RE-GEV-10L-NPT 3/8"		
		10	1/2 NPT	19	22	45,0	30,0	RE-GEV-10L-NPT 1/2"		
		10	3/4 NPT	19	27	46,0	31,0	RE-GEV-10L-NPT 3/4"		
		12	1/8 NPT	22	19	35,0	20,0	RE-GEV-12L-NPT 1/8"		
		12	1/4 NPT	22	19	40,0	25,0	RE-GEV-12L-NPT 1/4"		
		12	3/8 NPT	22	19	40,0	25,0	RE-GEV-12L-NPT 3/8"		
		12	1/2 NPT	22	22	45,0	30,0	RE-GEV-12L-NPT 1/2"		
		12	3/4 NPT	22	27	46,0	31,0	RE-GEV-12L-NPT 3/4"		
		15	3/8 NPT	27	24	41,0	26,0	RE-GEV-15L-NPT 3/8"		
		15	1/2 NPT	27	24	46,0	31,0	RE-GEV-15L-NPT 1/2"		
		15	3/4 NPT	27	27	46,0	32,0	RE-GEV-15L-NPT 3/4"		
		15	1 NPT	27	36	52,0	38,0	RE-GEV-15L-NPT 1"		
			160	18	3/8 NPT	32	27	43,5	26,5	RE-GEV-18L-NPT 3/8"
				18	1/2 NPT	32	27	48,0	31,5	RE-GEV-18L-NPT 1/2"
				18	3/4 NPT	32	27	48,0	31,5	RE-GEV-18L-NPT 3/4"
				18	1 NPT	32	36	54,0	37,5	RE-GEV-18L-NPT 1"
				22	3/8 NPT	36	32	50,0	28,5	RE-GEV-22L-NPT 3/8"
				22	1/2 NPT	36	32	45,0	33,5	RE-GEV-22L-NPT 1/2"
22	3/4 NPT			36	32	50,0	33,5	RE-GEV-22L-NPT 3/4"		
22	1 NPT			36	36	56,0	39,5	RE-GEV-22L-NPT 1"		
	100	28	3/4 NPT	41	41	51,0	34,5	RE-GEV-28L-NPT 3/4"		
		28	1 NPT	41	41	56,0	39,5	RE-GEV-28L-NPT 1"		
		28	1 1/4 NPT	41	46	58,0	41,5	RE-GEV-28L-NPT 1 1/4"		
		35	1 NPT	50	46	61,0	39,5	RE-GEV-35L-NPT 1"		
		35	1 1/4 NPT	50	46	62,0	40,5	RE-GEV-35L-NPT 1 1/4"		
		42	1 1/4 NPT	60	55	65,0	42,0	RE-GEV-42L-NPT 1 1/4"		
		42	1 1/2 NPT	60	55	65,0	42,0	RE-GEV-42L-NPT 1 1/2"		



Gerade Einschraubverschraubung

Einschraubgewinde:
NPT

RE 514



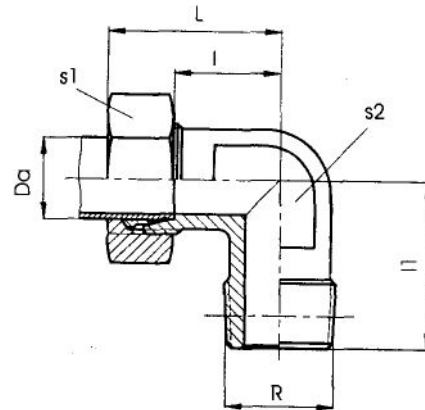
	PN	Da	NPT	s1	s2	L	I	RE-No.
S	630	6	1/8 NPT	17	14	36,0	21,0	RE-GEV-06S-NPT 1/8"
		6	1/4 NPT	17	17	43,0	28,0	RE-GEV-06S-NPT 1/4"
		6	3/8 NPT	17	19	43,0	28,0	RE-GEV-06S-NPT 3/8"
		6	1/2 NPT	17	22	50,0	35,0	RE-GEV-06S-NPT 1/2"
		8	1/4 NPT	19	17	43,0	28,0	RE-GEV-08S-NPT 1/4"
		8	3/8 NPT	19	19	43,0	28,0	RE-GEV-08S-NPT 3/8"
		8	1/2 NPT	19	22	50,0	35,0	RE-GEV-08S-NPT 1/2"
		10	1/4 NPT	22	19	43,5	27,5	RE-GEV-10S-NPT 1/4"
		10	3/8 NPT	22	19	43,5	27,5	RE-GEV-10S-NPT 3/8"
		10	1/2 NPT	22	22	50,5	34,5	RE-GEV-10S-NPT 1/2"
		10	3/4 NPT	22	27	50,5	34,5	RE-GEV-10S-NPT 3/4"
		12	1/4 NPT	24	22	45,5	29,5	RE-GEV-12S-NPT 1/4"
		12	3/8 NPT	24	22	45,5	29,5	RE-GEV-12S-NPT 3/8"
		12	1/2 NPT	24	22	50,5	34,5	RE-GEV-12S-NPT 1/2"
	12	3/4 NPT	24	27	50,5	34,5	RE-GEV-12S-NPT 3/4"	
	14	3/8 NPT	27	24	49,0	31,0	RE-GEV-14S-NPT 3/8"	
	14	1/2 NPT	27	24	54,0	36,0	RE-GEV-14S-NPT 1/2"	
	14	3/4 NPT	27	27	54,0	36,0	RE-GEV-14S-NPT 3/4"	
	14	1 NPT	27	36	61,0	43,0	RE-GEV-14S-NPT 1"	
	400	16	3/8 NPT	30	27	49,0	30,5	RE-GEV-16S-NPT 3/8"
		16	1/2 NPT	30	27	54,0	35,5	RE-GEV-16S-NPT 1/2"
		16	3/4 NPT	30	27	54,0	35,5	RE-GEV-16S-NPT 3/4"
		16	1 NPT	30	36	61,0	42,5	RE-GEV-16S-NPT 1"
		20	1/2 NPT	36	32	59,0	37,5	RE-GEV-20S-NPT 1/2"
		20	3/4 NPT	36	32	59,0	37,5	RE-GEV-20S-NPT 3/4"
	250	20	1 NPT	36	36	64,0	42,5	RE-GEV-20S-NPT 1"
		25	1/2 NPT	46	41	64,0	40,0	RE-GEV-25S-NPT 1/2"
		25	3/4 NPT	46	41	64,0	40,0	RE-GEV-25S-NPT 3/4"
		25	1 NPT	46	41	69,0	45,0	RE-GEV-25S-NPT 1"
		25	1 1/4 NPT	46	46	70,0	46,0	RE-GEV-25S-NPT 1 1/4"
		25	1 1/2 NPT	46	50	70,0	46,0	RE-GEV-25S-NPT 1 1/2"
		30	3/4 NPT	50	46	67,0	40,5	RE-GEV-30S-NPT 3/4"
		30	1 NPT	50	46	72,0	45,5	RE-GEV-30S-NPT 1"
30		1 1/4 NPT	50	46	73,0	46,5	RE-GEV-30S-NPT 1 1/4"	
30		1 1/2 NPT	50	50	73,0	46,5	RE-GEV-30S-NPT 1 1/2"	
38		1 NPT	60	55	79,0	48,0	RE-GEV-38S-NPT 1"	
38		1 1/4 NPT	60	55	80,0	49,0	RE-GEV-38S-NPT 1 1/4"	
38	1 1/2 NPT	60	55	80,0	49,0	RE-GEV-38S-NPT 1 1/2"		



Winkel-Einschraubverschraubung

Einschraubgewinde: Whitworth-Rohrgew.
(kegelig DIN 3858)-Form G
(zylindr. DIN ISO 228)-Form J
Dichtkante Form B, DIN 3852 T 2

RE 516



	PN	Da	R	s1	s2	L	I	I1	RE-No.
LL	100	4	R 1/8 keg.	10	9	21,0	11,0	17	RE-WEV-04LL-R 1/8"
		6	R 1/8 keg.	12	9	21,0	9,5	17	RE-WEV-06LL-R 1/8"
		8	R 1/8 keg.	14	12	23,0	11,5	20	RE-WEV-08LL-R 1/8"
L	250	6	R 1/8 keg.	14	12	26,5	12,0	20	RE-WEV-06L-R 1/8"
		6	R 1/4 keg.	14	12	26,5	12,0	24	RE-WEV-06L-R 1/4"
		8	R 1/8 keg.	17	12	28,5	14,0	26	RE-WEV-08L-R 1/8"
		8	R 1/4 keg.	17	12	28,5	14,0	26	RE-WEV-08L-R 1/4"
		8	R 3/8 keg.	17	14	29,5	15,0	27	RE-WEV-08L-R 3/8"
		8	R 1/2 keg.	17	17	31,5	16,0	30	RE-WEV-08L-R 1/2"
		10	R 1/4 keg.	19	14	29,5	15,0	27	RE-WEV-10L-R 1/4"
		10	R 3/8 keg.	19	14	29,5	15,0	28	RE-WEV-10L-R 3/8"
		10	R 1/2 keg.	19	19	29,5	15,0	30	RE-WEV-10L-R 1/2"
		12	R 1/4 keg.	22	17	32,0	17,0	28	RE-WEV-12L-R 1/4"
		12	R 3/8 keg.	22	17	32,0	17,0	28	RE-WEV-12L-R 3/8"
		12	R 1/2 keg.	22	19	36,0	21,0	32	RE-WEV-12L-R 1/2"
		15	R 3/8 keg.	27	19	36,0	21,0	28	RE-WEV-15L-R 3/8"
		15	R 1/2 keg.	27	19	36,0	21,0	34	RE-WEV-15L-R 1/2"
			160	18	R 1/2 keg.	32	24	40,0	23,5
	PN	Da	G	s1	s2	L	I	I1	RE-No.
L	160	22	G 3/4 A	36	27	44,0	27,5	26	RE-WEV-22L-R 3/4"
	100	28	G 1 A	41	36	47,0	30,5	30	RE-WEV-28L-R 1"
		35	G 1 1/4 A	50	41	56,0	34,5	34	RE-WEV-35L-R 1 1/4"
		42	G 1 1/2 A	60	50	63,0	40,0	39	RE-WEV-42L-R 1 1/2"



Winkel-Einschraubverschraubung

Form **G**

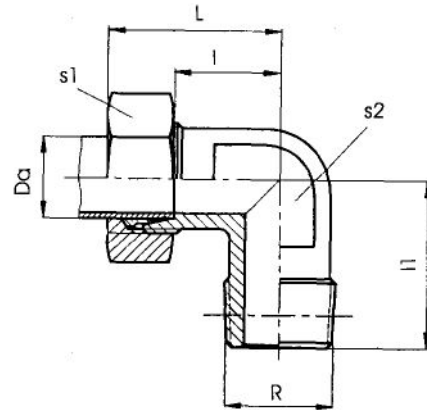
Einschraubgewinde:

Whitworth-Rohrgew. (kegelig DIN 3858)-

(zylindr. DIN ISO 228)-Form J

Dichtkante Form B, DIN 3852 T 2

RE 516



	PN	Da	R	s1	s2	L	I	I1	RE-No.
s	630	6	R 1/4 keg.	17	12	31,0	16,0	26	RE-WEV-06S-R 1/4"
		6	R 3/8 keg.	17	14	31,0	16,0	28	RE-WEV-06S R 3/8"
		6	R 1/2 keg.	17	17	31,0	16,0	30	RE-WEV-06S-R 1/2"
		8	R 1/4 keg.	19	14	32,0	17,0	27	RE-WEV-08S-R 1/4"
		8	R 3/8 keg.	19	14	32,0	17,0	27	RE-WEV-08S-R 3/8"
		8	R 1/2 keg.	19	17	32,0	17,0	30	RE-WEV-08S-R 1/2"
		10	R 1/4 keg.	22	17	34,0	17,5	27	RE-WEV-10S-R 1/4"
		10	R 3/8 keg.	22	17	34,0	17,5	28	RE-WEV-10S-R 3/8"
		10	R 1/2 keg.	22	19	34,0	17,5	31	RE-WEV-10S-R 1/2"
		12	R 3/8 keg.	24	17	38,0	21,5	28	RE-WEV-12S-R 3/8"
		12	R 1/2 keg.	24	19	38,0	21,5	32	RE-WEV-12S-R 1/2"
		14	R 3/8 keg.	27	19	40,0	22,0	31	RE-WEV-14S-R 3/8"
		14	R 1/2 keg.	27	19	40,0	22,0	32	RE-WEV-14S-R 1/2"
			400	16	R 1/2 keg.	30	24	43,0	24,5
	PN	Da	G	S1	s2	L	I	I1	RE-No.
s	400	20	G 3/4 A	36	27	48	26,5	26	RE-WEV-20S-R 3/4"
		25	G 1 A	46	36	54	30,0	30	RE-WEV-25S-R 1"
	250	30	G 1 1/4 A	50	41	62	35,5	34	RE-WEV-30S-R 1 1/4"
		38	G 1 1/2 A	60	50	72	41,0	39	RE-WEV-38S-R 1 1/2"



Winkel-Einschraubverschraubung

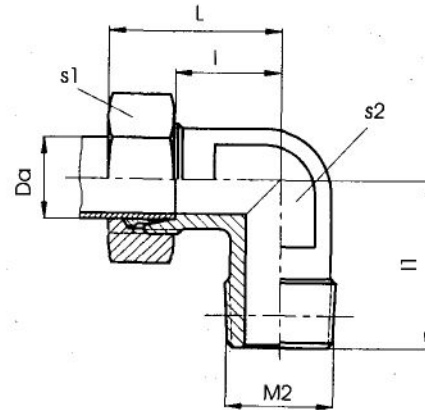
Form **F**

Einschraubgewinde:
metrisch (kegelig DIN 158)- (zylindr. DIN 13)-

Form **H**

Dichtkante Form B, DIN 3852 T 1

RE 517



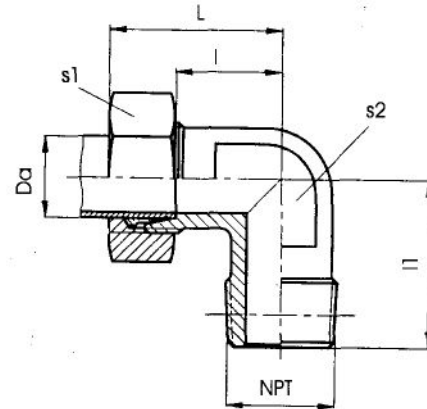
	PN	Da	M2	s1	s2	L	I	I1	RE-No.
LL	100	4	M 8 x 1 keg.	10	9	21	11,0	17	RE-WEV-04LL-M 8 x 1
		6	M 10 x 1 keg.	12	9	21	9,5	17	RE-WEV-06LL-M 10 x 1
		8	M 10 x 1 keg.	14	12	23	11,5	20	RE-WEV-08LL-M 10 x 1
L	250	6	M 10 x 1 keg.	14	12	27	12,0	20	RE-WEV-06L-M 10 x 1
		8	M 12 x 1,5 keg.	17	12	29	14,0	26	RE-WEV-08L-M 12 x 1,5
		10	M 14 x 1,5 keg.	19	14	30	15,0	27	RE-WEV-10L-M 14 x 1,5
		12	M 16 x 1,5 keg.	22	17	32	17,0	28	RE-WEV-12L-M 16 x 1,5
		15	M 18 x 1,5 keg.	27	19	36	21,0	32	RE-WEV-15L-M 18 x 1,5
	160	18	M 22 x 1,5 keg.	32	24	40	23,5	36	RE-WEV-18L-M 22 x 1,5
	PN	Da	M	s1	s2	L	I	I1	RE-No.
	160	22	M 26 x 1,5	36	27	44	27,5	26	RE-WEV-22L-M 26 x 1,5
L	100	28	M 33 x 2	41	36	47	30,5	30	RE-WEV-28L-M 33 x 2
		35	M 42 x 2	50	41	56	34,5	34	RE-WEV-35L-M 42 x 2
		42	M 48 x 2	60	50	63	40,0	39	RE-WEV-42L-M 48 x 2
	PN	Da	M2	s1	s2	L	I	I1	RE-No.
S	630	6	M 12 x 1,5 keg.	17	12	31	16,0	26	RE-WEV-06S-M 12 x 1,5
		8	M 14 x 1,5 keg.	19	14	32	17,0	27	RE-WEV-08S-M 14 x 1,5
		10	M 16 x 1,5 keg.	22	17	34	17,5	28	RE-WEV-10S-M 16 x 1,5
		12	M 18 x 1,5 keg.	24	17	38	21,5	28	RE-WEV-12S-M 18 x 1,5
		14	M 20 x 1,5 keg.	27	19	40	22,0	32	RE-WEV-14S-M 20 x 1,5
	400	16	M 22 x 1,5 keg.	30	24	43	24,5	32	RE-WEV-16S-M 22 x 1,5
	PN	Da	M	s1	s2	L	I	I1	RE-No.
S	400	20	M 27 x 2	36	27	48	26,5	26	RE-WEV-20S-M 27 x 2
		25	M 33 x 2	46	36	54	30,0	30	RE-WEV-25S-M 33 x 2
	250	30	M 42 x 2	50	41	62	35,5	34	RE-WEV-30S-M 42 x 2
		38	M 48 x 2	60	50	72	41,0	39	RE-WEV-38S-M 48 x 2



Winkel-Einschraubverschraubung

Einschraubgewinde:
NPT

RE 518



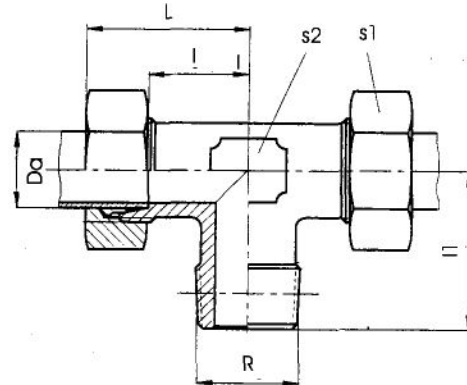
	PN	Da	NPT	si	s2	L	I	11	RE-No.		
LL	100	4	1/8 NPT	10	9	21	11,0	17	RE-WEV-04LL-NPT 1/8"		
		6	1/8 NPT	12	9	21	9,5	17	RE-WEV-06LL-NPT 1/8"		
		8	1/8 NPT	14	12	23	11,5	20	RE-WEV-08LL-NPT 1/8"		
L	250	6	1/8 NPT	14	12	27	12,0	20	RE-WEV-06L-NPT 1/8"		
		6	1/4 NPT	14	12	27	12,0	25	RE-WEV-06L-NPT 1/4"		
		6	3/8 NPT	14	14	27	12,0	28	RE-WEV-06L-NPT 3/8"		
		8	1/8 NPT	17	12	29	14,0	24	RE-WEV-08L-NPT 1/8"		
		8	1/4 NPT	17	12	29	14,0	26	RE-WEV-08L-NPT 1/4"		
		8	1/2 NPT	17	17	29	14,0	34	RE-WEV-08L-NPT 1/2"		
		10	1/4 NPT	19	14	30	15,0	27	RE-WEV-10L-NPT 1/4"		
		10	3/8 NPT	19	14	32	17,0	28	RE-WEV-10L-NPT 3/8"		
		10	1/2 NPT	19	17	30	15,0	34	RE-WEV-10L-NPT 1/2"		
		12	1/4 NPT	22	17	32	17,0	28	RE-WEV-12L-NPT 1/4"		
		12	3/8 NPT	22	17	32	17,0	28	RE-WEV-12L-NPT 3/8"		
		12	1/2 NPT	22	19	32	17,0	34	RE-WEV-12L-NPT 1/2"		
		15	1/2 NPT	27	19	36	21,0	34	RE-WEV-15L-NPT 1/2"		
			160	18	1/2 NPT	32	24	40	23,5	36	RE-WEV-18L-NPT 1/2"
				22	3/4 NPT	36	27	44	27,5	42	RE-WEV-22L-NPT 3/4"
100	28			1 NPT	41	36	47	30,5	48	RE-WEV-28L-NPT 1"	
	100	35	1 1/4 NPT	50	41	56	34,5	54	RE-WEV-35L-NPT 1 1/4"		
		42	1 1/2 NPT	60	50	63	40,0	61	RE-WEV-42L-NPT 1 1/2"		
		S	630	6	1/4 NPT	17	12	31	16,0	26	RE-WEV-06S-NPT 1/4"
6	3/8 NPT			17	14	31	16,0	28	RE-WEV-06S-NPT 3/8"		
6	1/2 NPT			17	19	31	16,0	33	RE-WEV-06S-NPT 1/2"		
8	1/4 NPT			19	14	32	17,0	27	RE-WEV-08S-NPT 1/4"		
8	3/8 NPT			19	14	32	17,0	28	RE-WEV-08S-NPT 3/8"		
8	1/2 NPT			19	19	32	17,0	33	RE-WEV-08S-NPT 1/2"		
10	1/4 NPT			22	17	34	17,5	27	RE-WEV-10S-NPT 1/4"		
10	3/8 NPT			22	17	34	17,5	28	RE-WEV-10S-NPT 3/8"		
12	1/4 NPT			24	17	38	21,5	27	RE-WEV-12S-NPT 1/4"		
12	3/8 NPT			24	17	38	21,5	28	RE-WEV-12S-NPT 3/8"		
12	1/2 NPT			24	17	38	21,5	33	RE-WEV-12S-NPT 1/2"		
14	3/8 NPT			27	19	40	22,0	28	RE-WEV-14S-NPT 3/8"		
14	1/2 NPT			27	19	40	22,0	34	RE-WEV-14S-NPT 1/2"		
	400			16	1/2 NPT	30	24	43	24,5	36	RE-WEV-16S-NPT 1/2"
				20	3/4 NPT	36	27	48	26,5	42	RE-WEV-20S-NPT 3/4"
		25	1 NPT	46	36	54	30,0	48	RE-WEV-25S-NPT 1"		
	250	30	1 1/4 NPT	50	41	62	35,5	54	RE-WEV-30S-NPT 1 1/4"		
		38	1 1/2 NPT	60	50	72	41,0	61	RE-WEV-38S-NPT 1 1/2"		



T-Einschraubverschraubung

Einschraubgewinde: Whitworth-Rohrgew.
(kegelig DIN 3858) Form N
(zylindr. DIN 228) Form P
Dichtkante Form B, DIN 3852 T2

RE 519



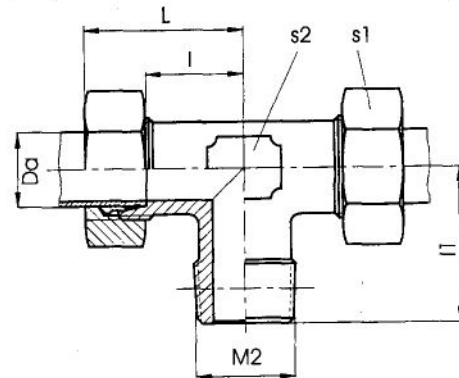
	PN	Da	R	s1	s2	L	I	I1	RE-No.
LL	100	4	R 1/8 keg.	10	9	21,0	11,0	17	RE-TEV-04LL-R 1/8"
		6	R 1/8 keg.	12	9	21,0	9,5	17	RE-TEV-06LL-R 1/8"
		8	R 1/8 keg.	14	12	23,0	11,5	20	RE-TEV-08LL-R 1/8"
L	250	6	R 1/8 keg.	14	12	27	12,0	20	RE-TEV-06L-R 1/8"
		8	R 1/4 keg.	17	12	29	14,0	26	RE-TEV-08L-R 1/4"
		10	R 1/4 keg.	19	14	30	15,0	27	RE-TEV-10L-R 1/4"
		12	R 3/8 keg.	22	17	32	17,0	28	RE-TEV-12L-R 3/8"
		15	R 1/2 keg.	27	19	36	21,0	34	RE-TEV-15L-R 1/2"
	160	18	R 1/2 keg.	32	24	40	23,5	36	RE-TEV-18L-R 1/2"
S	630	6	R 1/4 keg.	17	12	31	16,0	26	RE-TEV-06S-R 1/4"
		8	R 1/4 keg.	19	14	32	17,0	27	RE-TEV-08S-R 1/4"
		10	R 3/8 keg.	22	17	34	17,5	28	RE-TEV-10S-R 3/8"
		12	R 3/8 keg.	24	17	38	21,5	28	RE-TEV-12S-R 3/8"
		14	R 1/2 keg.	27	19	40	22,0	32	RE-TEV-14S-R 1/2"
	400	16	R 1/2 keg.	30	24	43	24,5	32	RE-TEV-16S-R 1/2"
	PN	Da	G	S1	s2	L	I	I1	RE-No.
L	160	22	G 3/4 A	36	27	44	27,5	42	RE-TEV- 22L-R 3/4"
	100	28	G 1 A	41	36	47	30,5	48	RE-TEV- 28L-R 1"
		35	G 1 1/4 A	50	41	56	34,5	54	RE-TEV-35L-R 1 1/4"
		42	G 1 1/2 A	60	50	63	40,0	61	RE-TEV-42L-R 1 1/2"
S	400	20	G 3/4 A	36	27	48	26,5	42	RE-TEV- 20S-R 3/4"
		25	G 1 A	46	36	54	30,0	48	RE-TEV-25S-R 1"
	250	30	G 1 1/4 A	50	41	62	35,5	54	RE-TEV-30S-R 1 1/4"
		38	G 1 1/2 A	60	50	72	41,0	61	RE-TEV-38S-R 1 1/2"



T-Einschraubverschraubung

Einschraubgewinde: Metrisch
(kegelig DIN 3858) Form M
(zylindr. DIN 13) Form O
Dichtkante Form B, DIN 3852 T1

RE 520



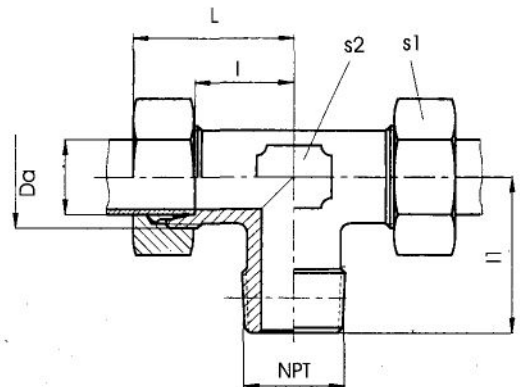
	PN	Da	M2	s1	s2	L	I	I1	RE-No.	
LL	100	4	M 8 x 1 keg.	10	9	21	11,0	17	RE-TEV- 04LL-M 08 x 1	
		6	M 10 x 1 keg.	12	9	21	9,5	17	RE-TEV-06LL-M 10 x 1	
		8	M 10 x 1 keg.	14	12	23	11,5	20	RE-TEV-08LL-M 10 x 1	
L	250	6	M 10 x 1 keg.	14	12	27	12,0	20	RE-TEV-06L-M 10 x 1	
		8	M 12 x 1,5 keg.	17	12	29	14,0	26	RE-TEV-08L-M 12 x 1,5	
		10	M 14 x 1,5 keg.	19	14	30	15,0	27	RE-TEV-10L-M 14 x 1,5	
		12	M 16 x 1,5 keg.	22	17	32	17,0	28	RE-TEV-12L-M 16 x 1,5	
		15	M 18 x 1,5 keg.	27	19	36	21,0	32	RE-TEV-15L-M 18 x 1,5	
	160	18	M 22 x 1,5 keg.	32	24	40	23,5	36	RE-TEV-18L-M 22 x 1,5	
S	630	6	M 12 x 1,5 keg.	17	12	31	16,0	26	RE-TEV-06S-M 12 x 1,5	
		8	M 14 x 1,5 keg.	19	14	32	17,0	27	RE-TEV-08S-M 14 x 1,5	
		10	M 16 x 1,5 keg.	22	17	34	17,5	28	RE-TEV-10S-M 16 x 1,5	
		12	M 18 x 1,5 keg.	24	17	38	21,5	28	RE-TEV-12S-M 18 x 1,5	
		14	M 20 x 1,5 keg.	27	19	40	22,0	32	RE-TEV- 14S-M 20 x 1,5	
	400	16	M 22 x 1,5 keg.	30	24	43	24,5	32	RE-TEV-16S-M 22 x 1,5	
	PN	Da	M	s1	s2	L	I	I1	RE-No.	
L	160	22	M 26 x 1,5	36	27	44	27,5	42	RE-TEV- 22L-M 26 x 1,5	
		100	28	M 33 x 2	41	36	47	30,5	48	RE-TEV- 28L-M 33 x 2
			35	M 42 x 2	50	41	56	34,5	54	RE-TEV- 35L-M 42 x 2
		42	M 48 x 2	60	50	63	40,0	61	RE-TEV- 42L-M 48 x 2	
S	400	20	M 27 x 2	36	27	48	26,5	42	RE-TEV- 20S-M 27 x 2	
		25	M 33 x 2	46	36	54	30,0	48	RE-TEV- 25S-M 33 x 2	
	250	30	M 42 x 2	50	41	62	35,5	54	RE-TEV- 30S-M 42 x 2	
38		M 48 x 2	60	50	72	41,0	61	RE-TEV- 38S-M 48 x 2		



T-Einschraubverschraubung

Einschraubgewinde: NPT

RE 521



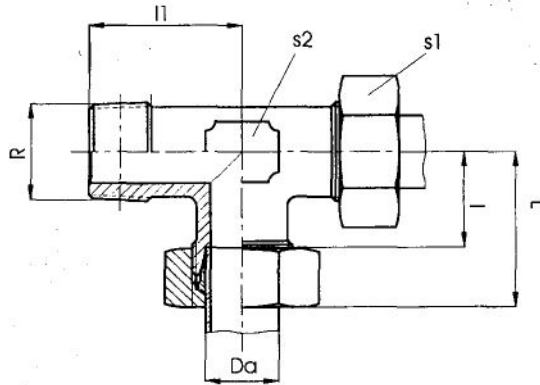
	PN	Da	NPT	s1	s2	L	I	I1	RE-No.
LL	100	4	1/8 NPT	10	9	21	11,0	17	RE-TEV-04LL-NPT 1/8"
		4	1/4 NPT	10	12	22	11,0	21	RE-TEV-04LL-NPT 1/4"
		6	1/8 NPT	12	9	21	9,5	17	RE-TEV-06LL-NPT 1/8"
		8	1/8 NPT	14	12	23	11,5	20	RE-TEV-08LL-NPT 1/8"
L	250	6	1/8 NPT	14	12	27	12,0	20	RE-TEV-06L-NPT 1/8"
		8	1/4 NPT	17	12	29	14,0	26	RE-TEV-08L-NPT 1/4"
		10	1/4 NPT	19	14	30	15,0	27	RE-TEV-10L-NPT 1/4"
		12	3/8 NPT	22	17	32	17,0	28	RE-TEV-12L-NPT 3/8"
		15	1/2 NPT	27	19	36	21,0	34	RE-TEV-15L-NPT 1/2"
	160	18	1/2 NPT	32	24	40	23,5	36	RE-TEV-18L-NPT 1/2"
		22	3/4 NPT	36	27	44	27,5	42	RE-TEV-22L-NPT 3/4"
	100	28	1 NPT	41	36	47	30,5	48	RE-TEV-28L-NPT 1"
		35	1 1/4 NPT	50	41	56	34,5	54	RE-TEV-35L-NPT 1 1/4"
		42	1 1/2 NPT	60	50	63	40,0	61	RE-TEV-42L-NPT 1 1/2"
S	630	6	1/4 NPT	17	12	31	16,0	26	RE-TEV-06S-NPT 1/4"
		8	1/4 NPT	19	14	32	17,0	28	RE-TEV-08S-NPT 1/4"
		10	3/8 NPT	22	17	34	17,5	28	RE-TEV-10S-NPT 3/8"
		12	3/8 NPT	24	17	38	21,5	28	RE-TEV-12S-NPT 3/8"
		14	1/2 NPT	27	19	40	22,0	34	RE-TEV-14S-NPT 1/2"
	400	16	1/2 NPT	30	24	43	24,5	34	RE-TEV-16S-NPT 1/2"
		20	3/4 NPT	36	27	48	26,5	42	RE-TEV-20S-NPT 3/4"
		25	1 NPT	46	36	54	30,0	48	RE-TEV-25S-NPT 1"
	250	30	1 1/4 NPT	50	41	62	35,5	54	RE-TEV-30S-NPT 1 1/4"
		38	1 1/2 NPT	60	50	72	41,0	61	RE-TEV-38S-NPT 1 1/2"



L-Einschraubverschraubung

Einschraubgewinde: Whitworth-Rohrgew.
(kegelig DIN 3858) Form AB
(zylindr. DIN ISO 228) Form BB
Dichtkante Form B, DIN 3852 T2

RE 522



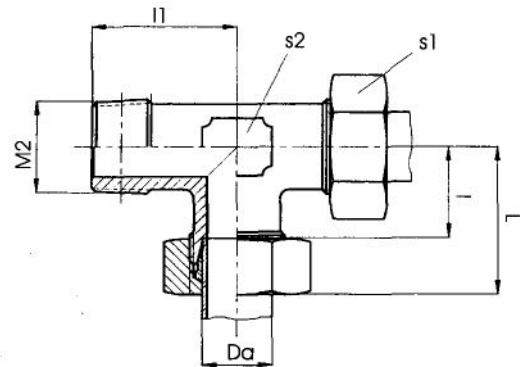
	PN	Da	R	s1	s2	L	I	I1	RE-No.	
LL	100	4	R 1/8 keg.	10	9	21	11,0	17	RE-LEV-04LL-R 1/8"	
		6	R 1/8 keg.	12	9	21	9,5	17	RE-LEV-06LL-R 1/8"	
		8	R 1/8 keg.	14	12	23	11,5	20	RE-LEV-08LL-R 1/8"	
L	250	6	R 1/8 keg.	14	12	27	12,0	20	RE-LEV-06L-R 1/8"	
		8	R 1/4 keg.	17	12	29	14,0	26	RE-LEV-08L-R 1/4"	
		10	R 1/4 keg.	19	14	30	15,0	27	RE-LEV-10L-R 1/4"	
		12	R 3/8 keg.	22	17	32	17,0	28	RE-LEV-12L-R 3/8"	
		15	R 1/2 keg.	27	19	36	21,0	34	RE-LEV-15L-R 1/2"	
	160	18	R 1/2 keg.	32	24	40	23,5	36	RE-LEV-18L-R 1/2"	
	PN	Da	G	s1	s2	L	I	I1	RE-No.	
L	160	22	G 3/4 A	36	27	44	27,5	26	RE-LEV-22L-R 3/4"	
		100	28	G 1 A	41	36	47	30,5	30	RE-LEV-28L-R 1"
			35	G 1 1/4 A	50	41	56	34,5	34	RE-LEV-35L-R 1 1/4"
			42	G 1 1/2 A	60	50	63	40,0	39	RE-LEV-42L-R 1 1/2"
	PN	Da	R	s1	s2	L	I	I1	RE-No.	
S	630	6	R 1/4 keg.	17	12	31	16,0	26	RE-LEV-06S-R 1/4"	
		8	R 1/4 keg.	19	14	32	17,0	27	RE-LEV-08S-R 1/4"	
		10	R 3/8 keg.	22	17	34	17,5	28	RE-LEV-10S-R 3/8"	
		12	R 3/8 keg.	24	17	38	21,5	28	RE-LEV-12S-R 3/8"	
		14	R 1/2 keg.	27	19	40	22,0	32	RE-LEV-14S-R 1/2"	
	400	16	R 1/2 keg.	30	24	43	24,5	32	RE-LEV-16S-R 1/2"	
	PN	Da	G	s1	s2	L	I	I1	RE-No.	
S	400	20	G 3/4 A	36	27	48	26,5	26	RE-LEV-20S-R 3/4"	
		25	G 1 A	46	36	54	30,0	30	RE-LEV-25S-R 1"	
	250	30	G 1 1/4 A	50	41	62	35,5	34	RE-LEV-30S-R 1 1/4"	
		38	G 1 1/2 A	60	50	72	41,0	39	RE-LEV-38S-R 1 1/2"	



L-Einschraubverschraubung

Einschraubgewinde: Metrisch
(kegelig DIN 158) Form AA
(zylindr. DIN 13) Form BA
Dichtkante Form B, DIN 3852 Ti

RE 523



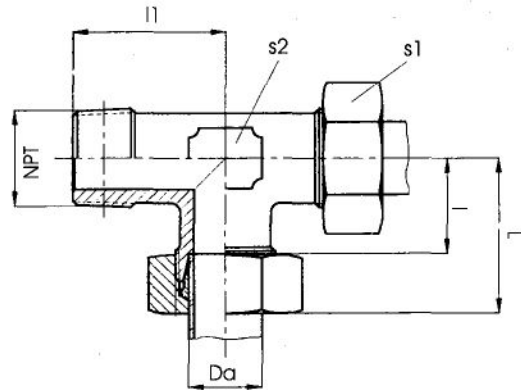
	PN	Da	M2	s1	s2	L	I	I1	RE-No.
LL	100	4	M 8 x 1 keg.	10	9	21	11,0	17	RE-LEV- 04LL-M 8 x 1
		6	M 10 x 1 keg.	12	9	21	9,5	17	RE-LEV-06LL-M 10 x 1
		8	M 10 x 1 keg,	14	12	23	11,5	20	RE-LEV- 08LL-M 10 x 1
L	250	6	M 10 x 1 keg.	14	12	27	12,0	20	RE-LEV-06L-M 10 x 1
		8	M 12 x 1,5 keg.	17	12	29	14,0	26	RE-LEV-08L-M 12 x 1,5
		10	M 14 x 1,5 keg.	19	14	30	15,0	27	RE-LEV-10L-M 14 x 1,5
		12	M 16 x 1,5 keg.	22	17	32	17,0	28	RE-LEV-12L-M 16 x 1,5
		15	M 18 x 1,5 keg.	27	19	36	21,0	32	RE-LEV-15L-M 18 x 1,5
	160	18	M 22 x 1,5 keg.	32	24	40	23,5	36	RE-LEV-18L-M 22 x 1,5
	PN	Da	M	s1	s2	L	I	I1	RE-No.
L	160	22	M 26 x 1,5	36	27	44	27,5	26	RE-LEV- 22L-M 26 x 1,5
	100	28	M 33 x 2	41	36	47	30,5	30	RE-LEV- 28L-M 33 x 2
		35	M 42 x 2	50	41	56	34,5	34	RE-LEV- 35L-M 42 x 2
		42	M 48 x 2	60	50	63	40,0	39	RE-LEV- 42L-M 48 x 2
	PN	Da	M2	s1	s2	L	I	I1	RE-No.
S	630	6	M 12 x 1,5 keg.	17	12	31	16,0	26	RE-LEV-06S-M 12 x 1,5
		8	M 14 x 1,5 keg.	19	14	32	17,0	27	RE-LEV-08S-M 14 x 1,5
		10	M 16 x 1,5 keg.	22	17	34	17,5	28	RE-LEV-10S-M 16 x 1,5
		12	M 18 x 1,5 keg.	24	17	38	21,5	28	RE-LEV-12S-M 18 x 1,5
		14	M 20 x 1,5 keg.	27	19	40	22,0	32	RE-LEV-14S-M 20 x 1,5
	400	16	M 22 x 1,5 keg.	30	24	43	24,5	32	RE-LEV-16S-M 22 x 1,5
	PN	Da	M	s1	s2	L	I	I1	RE-No.
S	400	20	M 27 x 2	36	27	48	26,5	26	RE-LEV- 20S-M 27 x 2
		25	M 33 x 2	46	36	54	30,0	30	RE-LEV- 25S-M 33 x 2
	250	30	M 42 x 2	50	41	62	35,5	34	RE-LEV- 30S-M 42 x 2
		38	M 48 x 2	60	50	72	41,0	39	RE-LEV- 38S-M 48 x 2



L-Einschraubverschraubung

Einschraubgewinde: NPT

RE 524



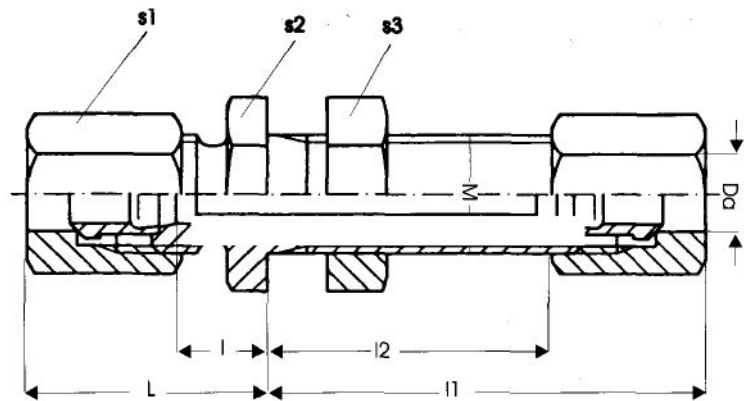
	PN	Da	NPT	s1	s2	L	I	l1	RE-No.
LL	100	4	1/8 NPT	10	9	21	11,0	17	RE-LEV-04LL-NPT 1/8"
		6	1/8 NPT	12	9	21	9,5	17	RE-LEV-06LL-NPT 1/8"
		8	1/8 NPT	14	12	23	11,5	20	RE-LEV-08LL-NPT 1/8"
L	250	6	1/8 NPT	14	12	27	12,0	20	RE-LEV-06L-NPT 1/8"
		8	1/4 NPT	17	12	29	14,0	26	RE-LEV-08L-NPT 1/4"
		10	1/4 NPT	19	14	30	15,0	27	RE-LEV-10L-NPT 1/4"
		12	3/8 NPT	22	17	32	17,0	28	RE-LEV-12L-NPT 3/8"
		15	1/2 NPT	27	19	36	21,0	34	RE-LEV-15L-NPT 1/2"
	160	18	1/2 NPT	32	24	40	23,5	36	RE-LEV-18L-NPT 1/2"
		22	3/4 NPT	36	27	44	27,5	42	RE-LEV-22L-NPT 3/4"
	100	28	1 NPT	41	36	47	30,5	48	RE-LEV-28L-NPT 1"
		35	1 1/4 NPT	50	41	56	34,5	54	RE-LEV-35L-NPT 1 1/4"
		42	1 1/2 NPT	60	50	63	40,0	61	RE-LEV-42L-NPT 1 1/2"
S	630	6	1/4 NPT	17	12	31	16,0	26	RE-LEV-06S-NPT 1/4"
		8	1/4 NPT	19	14	32	17,0	27	RE-LEV-08S-NPT 1/4"
		10	3/8 NPT	22	17	34	17,5	28	RE-LEV-10S-NPT 3/8"
		12	3/8 NPT	24	17	38	21,5	28	RE-LEV-12S-NPT 3/8"
		14	1/2 NPT	27	19	40	22,0	32	RE-LEV-14S-NPT 1/2"
	400	16	1/2 NPT	30	24	43	24,5	32	RE-LEV-16S-NPT 1/2"
		20	3/4 NPT	36	27	48	26,5	42	RE-LEV-20S-NPT 3/4"
		25	1 NPT	46	36	54	30,0	48	RE-LEV-25S-NPT 1"
	250	30	1 1/4 NPT	50	41	62	35,5	54	RE-LEV-30S-NPT 1 1/4"
		38	1 1/2 NPT	60	50	72	41,0	61	RE-LEV-38S-NPT 1 1/2"



Schottverschraubung

Form R

RE 526



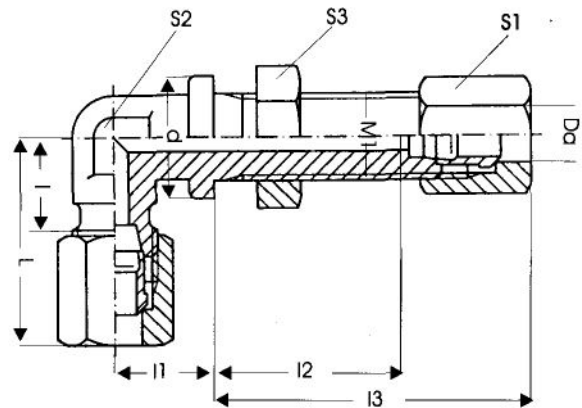
	PN	Da	M1	s1	s2	s3	L	I	I1	I2	RE-No.
L	250	6	M 12 x 1,5	14	17	17	22	7,0	42	27,0	RE-SV-06L
		8	M 14 x 1,5	17	19	19	23	8,0	42	27,0	RE-SV-08L
		10	M 16 x 1,5	19	22	22	25	10,0	43	28,0	RE-SV-10L
		12	M 18 x 1,5	22	24	24	25	10,0	44	29,0	RE-SV-12L
		15	M 22 x 1,5	27	27	30	27	12,0	46	31,0	RE-SV-15L
	160	18	M 26 x 1,5	32	32	36	30	13,5	49	32,5	RE-SV-18L
		22	M 30 x 2	36	36	41	33	16,5	51	34,5	RE-SV-22L
	100	28	M 36 x 2	41	41	46	35	18,5	52	35,5	RE-SV-28L
		35	M 45 x 2	50	50	55	40	18,5	58	36,5	RE-SV-35L
		42	M 52 x 2	60	60	65	42	19,0	59	36,0	RE-SV-42L
S	630	6	M 14 x 1,5	17	19	19	27	12,0	44	29,0	RE-SV-06S
		8	M 16 x 1,5	19	22	22	28	13,0	44	29,0	RE-SV-08S
		10	M 18 x 1,5	22	24	24	31	14,5	46	29,5	RE-SV-10S
		12	M 20 x 1,5	24	27	27	31	14,5	47	30,5	RE-SV-12S
		14	M 22 x 1,5	27	30	30	35	17,0	50	32,0	RE-SV-14S
	400	16	M 24 x 1,5	30	32	32	35	16,5	50	31,5	RE-SV-16S
		20	M 30 x 2	36	41	41	39	17,5	55	33,5	RE-SV-20S
		25	M 36 x 2	46	46	46	44	20,0	59	35,0	RE-SV-25S
	250	30	M 42 x 2	50	50	50	48	21,5	64	37,5	RE-SV-30S
		38	M 52 x 2	60	65	65	53	22,0	68	37,0	RE-SV-38S



Winkel-Schottverschraubung

Form U

RE 527



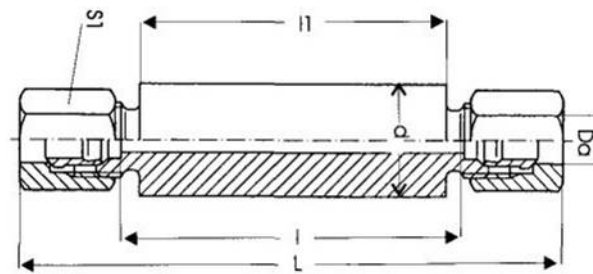
	PN	Da	M1	d	s1	s2	s3	L	I	I1	I2	I3	RE-No.	
L	250	6	M 12 x 1,5	17	14	12	17	27	12,0	14	27,0	42	RE-WSV-06L	
		8	M 14 x 1,5	19	17	12	19	29	14,0	17	27,0	42	RE-WSV-08L	
		10	M 16 x 1,5	22	19	14	22	30	15,0	18	28,0	43	RE-WSV-10L	
		12	M 18 x 1,5	24	22	17	24	32	17,0	20	29,0	44	RE-WSV-12L	
		15	M 22 x 1,5	27	27	19	30	36	21,0	23	31,0	46	RE-WSV-15L	
	160	18	M 26 x 1,5	32	32	24	36	40	23,5	24	32,5	49	RE-WSV-18L	
		22	M 30 x 2	36	36	27	41	44	27,5	30	34,5	51	RE-WSV-22L	
	100	28	M 36 x 2	42	41	36	46	47	30,5	34	35,5	52	RE-WSV-28L	
		35	M 45 x 2	50	50	41	55	56	34,5	39	36,5	58	RE-WSV-35L	
		42	M 52 x 2	60	60	50	65	63	40,0	43	36,0	59	RE-WSV-42L	
	S	630	6	M 14 x 1,5	19	17	12	19	31	16,0	17	29,0	44	RE-WSV-06S
			8	M 16 x 1,5	22	19	14	22	32	17,0	18	29,0	44	RE-WSV-08S
10			M 18 x 1,5	24	22	17	24	34	17,5	20	29,5	46	RE-WSV-10S	
12			M 20 x 1,5	27	24	17	27	38	21,5	21	30,5	47	RE-WSV-12S	
14			M 22 x 1,5	27	27	19	30	40	22,0	23	32,0	50	RE-WSV-14S	
400		16	M 24 x 1,5	30	30	24	32	43	24,5	24	31,5	50	RE-WSV-16S	
		20	M 30 x 2	36	36	27	41	48	26,5	30	33,5	55	RE-WSV-20S	
		25	M 36 x 2	42	46	36	46	54	30,0	34	35,0	59	RE-WSV-25S	
250		30	M 42 x 2	50	50	41	50	62	35,5	39	37,5	64	RE-WSV-30S	
		38	M 52 x 2	60	60	50	65	72	41,0	43	37,0	68	RE-WSV-38S	



Einschweiß-Schottverschraubung

Form Y

RE 528



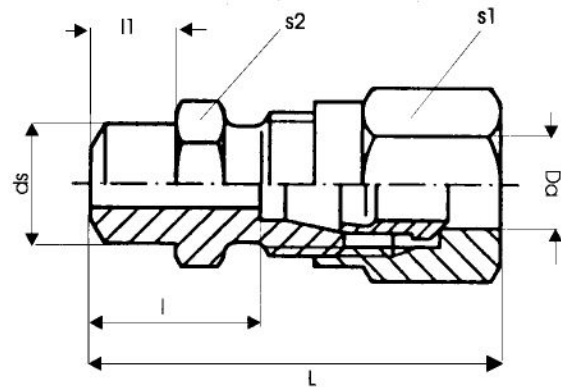
	PN	Da	s1	d	L	l	s1	RE-No.
L	250	6	14	18	85	56	50	RE-ESV-06L
		8	17	20	85	56	50	RE-ESV-08L
		10	19	22	87	58	50	RE-ESV-10L
		12	22	25	87	58	50	RE-ESV-12L
		15	27	28	100	70	60	RE-ESV-15L
	160	18	32	32	101	69	60	RE-ESV-18L
		22	36	36	105	73	60	RE-ESV-22L
	100	28	41	40	106	73	60	RE-ESV-28L
		35	50	50	114	71	60	RE-ESV-35L
		42	60	60	115	70	60	RE-ESV-42L
S	630	6	17	20	89	60	50	RE-ESV-06S
		8	19	22	89	60	50	RE-ESV-08S
		10	22	25	91	59	50	RE-ESV-10S
		12	24	28	91	59	50	RE-ESV-12S
		14	27	30	107	72	60	RE-ESV-14S
	400	16	30	35	107	71	60	RE-ESV-16S
		20	36	38	114	71	60	RE-ESV-20S
		25	46	45	120	72	60	RE-ESV-25S
	250	30	50	50	126	73	60	RE-ESV-30S
		38	60	60	133	72	60	RE-ESV-38S



Anschweißverschraubung

Form X

RE 529



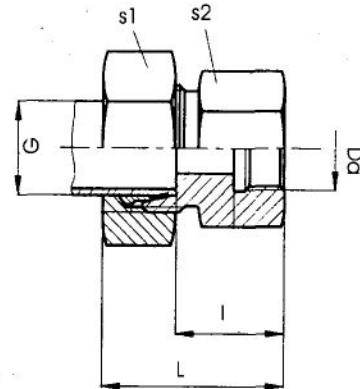
	PN	Da	s1	s2	L	l	l1	ds	RE-No.	
L	315	6	14	12	29	14,0	7	10	RE-ASV- 06L	
		8	17	14	31	16,0	8	12	RE-ASV- 08L	
		10	19	17	33	18,0	8	14	RE-ASV-10L	
		12	22	19	33	18,0	8	16	RE-ASV-12L	
		15	27	22	37	22,0	10	19	RE-ASV-15L	
	160	18	32	27	40	23,5	10	22	RE-ASV-18L	
		22	36	32	45	28,5	12	27	RE-ASV- 22L	
	100	28	41	41	47	30,5	12	32	RE-ASV- 28L	
		35	50	46	54	32,5	14	40	RE-ASV- 35L	
		42	60	55	58	35,0	16	46	RE-ASV- 42L	
	S	630	6	17	14	34	19,0	7	11	RE-ASV- 06S
			8	19	17	36	21,0	8	13	RE-ASV- 08S
10			22	19	39	22,5	8	15	RE-ASV-10S	
12			24	22	41	24,5	10	17	RE-ASV-12S	
14			27	24	45	27,0	10	19	RE-ASV- 14S	
400		16	30	27	45	26,5	10	21	RE-ASV-16S	
		20	36	32	51	29,5	12	26	RE-ASV- 20S	
		25	46	41	56	32,0	12	31	RE-ASV- 25S	
250		30	50	46	62	35,5	14	36	RE-ASV- 30S	
		38	60	55	69	38,0	16	44	RE-ASV- 38S	



Gerade Aufschraubverschraubung

Withworth-Rohrgewinde

RE 530

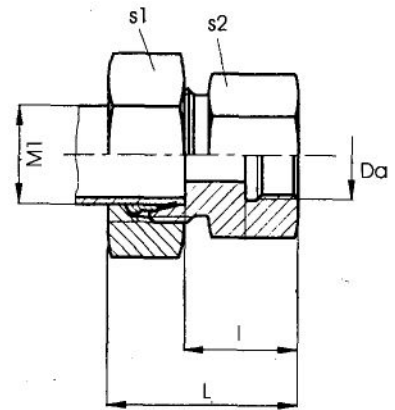


	PN	Da	G	s1	s2	L	I	RE-No.
L	250	6	G 1/8	14	14	34	19,0	RE-GAIV-06L-G 1/8"
		6	G 1/4	14	19	39	24,0	RE-GAIV-06L-G 1/4"
		8	G 1/4	17	19	39	24,0	RE-GAIV-08L-G 1/4"
		10	G 1/4	19	19	40	25,0	RE-GAIV-10L-G 1/4"
		12	G 3/8	22	24	41	26,0	RE-GAIV-12L-G 3/8"
		12	G 1/2	22	27	46	29,0	RE-GAIV-12L-G 1/2"
		15	G 3/8	27	24	42	27,0	RE-GAIV-15L-G 3/8"
		15	G 1/2	27	27	46	31,0	RE-GAIV-15L-G 1/2"
	160	18	G 3/8	32	27	44	27,5	RE-GAIV-18L-G 3/8"
		18	G 1/2	32	27	47	30,5	RE-GAIV-18L-G 1/2"
		22	G 3/4	36	36	52	35,5	RE-GAIV- 22L-G 3/4"
	100	28	G 1	41	41	55	38,0	RE-GAIV- 28L-G 1"
		35	G 1 1/4	50	55	63	41,0	RE-GAIV-35L-G 1 1/4"
42		G 1 1/2	60	60	65	42,5	RE-GAIV-42L-G 1 1/2"	
S	630	6	G 1/8	17	17	36	21,0	RE-GAIV- 06S-G 1/8"
		6	G 1/4	17	19	41	26,0	RE-GAIV-06S-G 1/4"
		8	G 1/4	19	19	41	26,0	RE-GAIV-08S-G 1/4"
		10	G 3/8	22	24	43	26,5	RE-GAIV- 10S-G 3/8"
		12	G 1/4	24	22	45	27,0	RE-GAIV-12S-G 1/4"
		12	G 3/8	24	24	43	26,5	RE-GAIV-12S-G 3/8"
		12	G 1/2	24	27	47	29,5	RE-GAIV-12S-G 1/2"
		14	G 1/2	27	27	50	32,0	RE-GAIV- 14S-G 1/2"
	400	16	G 1/2	30	27	50	31,5	RE-GAIV- 16S-G 1/2"
		20	G 3/8	36	32	49	27,5	RE-GAIV- 20S-G 3/8"
		20	G 1/2	36	32	52	30,5	RE-GAIV- 20S-G 1/2"
		20	G 3/4	36	36	56	34,5	RE-GAIV- 20S-G 3/4"
		25	G 1	46	41	62	37,5	RE-GAIV-25S-G 1"
	250	30	G 1 1/4	50	55	69	42,0	RE-GAIV-30S-R 1 1/4"
		38	G 1 1/2	60	60	74	43,5	RE-GAIV-38S-R 1 1/2"



Gerade Aufschraubverschraubung
Metrisches Gewinde

RE 531

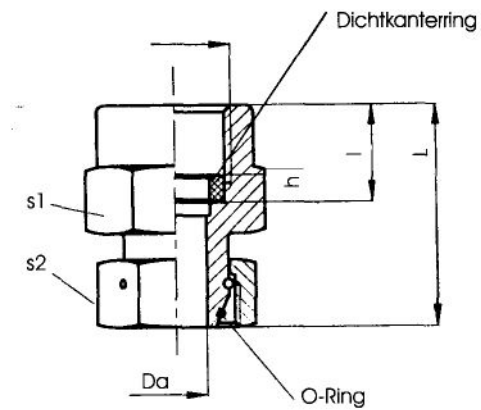


	PN	Da	M1	s1	s2	L	I	RE-No.
L	250	6	M 10 x 1	14	14	34	19,5	RE-GAIV-06L-M 10 x 1
		8	M 12 x 1,5	17	17	39	24,0	RE-GAIV-08L-M 12 x 1,5
		10	M 14 x 1,5	19	19	40	25,0	RE-GAIV-10L-M 14 x 1,5
		12	M 16 x 1,5	22	22	41	26,0	RE-GAIV-12L-M 16 x 1,5
		12	M 18 x 1,5	22	24	43	26,0	RE-GAIV-12L-M 18 x 1,5
		12	M 20 x 1,5	22	27	43	28,0	RE-GAIV-12L-M 20 x 1,5
		15	M 18 x 1,5	27	24	43	28,0	RE-GAIV-15L-M 18 x 1,5
	160	18	M 22 x 1,5	32	30	46	29,5	RE-GAIV-18L-M 22 x 1,5
		22	M 26 x 1,5	36	32	51	34,5	RE-GAIV-22L-M 26 x 1,5
	100	28	M 33 x 2	41	41	54	37,5	RE-GAIV- 28L-M 33 x 2
35		M 42 x 2	50	55	62	40,5	RE-GAIV- 35L-M 42 x 2	
42		M 48 x 2	60	60	65	42,0	RE-GAIV- 42L-M 48 x 2	
S	630	6	M 12 x 1,5	17	17	41	26,0	RE-GAIV-06S-M 12 x 1,5
		8	M 14 x 1,5	19	19	41	26,0	RE-GAIV-08S-M 14 x 1,5
		10	M 16 x 1,5	22	22	43	26,5	RE-GAIV-10S-M 16 x 1,5
		12	M 18 x 1,5	24	24	44	27,5	RE-GAIV-12S-M 18 x 1,5
		12	M 20 x 1,5	24	27	46	29,5	RE-GAIV-12S-M 20 x 1,5
		14	M 20 x 1,5	27	27	49	31,0	RE-GAIV-14S-M 20 x 1,5
	400	16	M 22 x 1,5	30	30	49	30,5	RE-GAIV-16S-M 22 x 1,5
		20	M 27 x 2	36	36	56	34,5	RE-GAIV-20S-M 27 x 2
		25	M 33 x 2	46	41	61	37,0	RE-GAIV-25S-M 33 x 2
	250	30	M 42 x 2	50	55	68	41,5	RE-GAIV-30S-M 42 x 2
		38	M 48 x 2	60	60	74	43,0	RE-GAIV-38S-M 48 x 2



Manometer Kegel-Verschraubung

RE 533



	PN	Da	G	s1	s2	L	h	l	O-Ring	RE-No.	
L	315	6	G 1/4	19	14	37	4,5	14,5	4 x 1,5	RE-MAKV-06-LR 1/4"	
		8	G 1/4	19	17	37	4,5	14,5	6 x 1,5	RE-MAKV-08-LR 1/4"	
		10	G 1/4	19	19	38	4,5	14,5	7,5 x 1,5	RE-MAKV-10-LR 1/4"	
		12	G 1/4	19	22	38	4,5	14,5	9 x 1,5	RE-MAKV-12-LR 1/4"	
S	630	6	G 1/2	27	17	46	5,0	20,0	4 x 1,5	RE-MAKV-06-SR 1/2"	
		8	G 1/2	27	19	46	5,0	20,0	6 x 1,5	RE-MAKV-08-SR 1/2"	
		10	G 1/2	27	22	47	5,0	20,0	7,5 x 1,5	RE-MAKV-10-SR 1/2"	
		12	G 1/2	27	24	47	5,0	20,0	9 x 1,5	RE-MAKV-12-SR 1/2"	
			6	G 1/4	19	17	37	4,5	14,5	4 x 1,5	RE-MAKV-06-SR 1/4"
			8	G 1/4	19	19	37	4,5	14,5	6 x 1,5	RE-MAKV-08-SR 1/4"
			10	G 1/4	19	22	38	4,5	14,5	7,5 x 1,5	RE-MAKV-10-SR 1/4"
			12	G 1/4	19	24	38	4,5	14,5	9 x 1,5	RE-MAKV-12-SR 1/4"

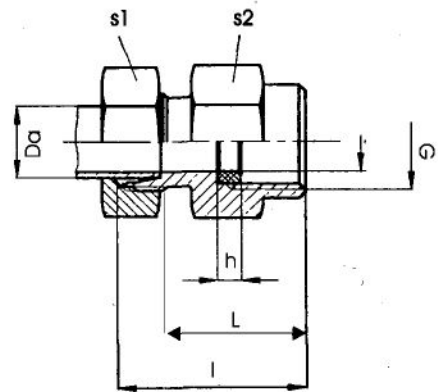


Manometer-Anschlußverschraubung

mit Dichtkantenring

Anschlußgewinde: Whitworth-Rohrgewinde

RE 533

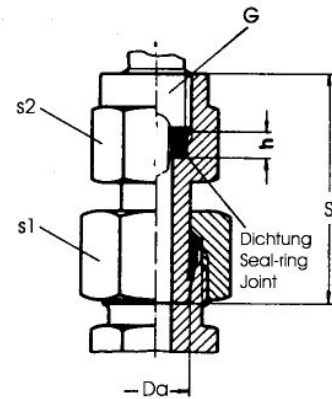


	PN	Da	G	h	S1	s2	L	I	RE-No.
LL	100	4	G 1/4	4,5	10	19	23,0	33	RE-MAV-04LL-R 1/4"
L	250	6	G 1/4	4,5	14	19	22,0	37	RE-MAV-06L-R 1/4"
		8	G 1/4	4,5	17	19	22,0	37	RE-MAV-08L-R 1/4"
		10	G 1/4	4,5	19	19	23,0	38	RE-MAV-10L-R 1/4"
		12	G 1/4	4,5	22	19	23,0	38	RE-MAV-12L-R 1/4"
		12	G 1/2	4,5	22	27	30,0	44	RE-MAV-12L-R 1/2"
S	630	6	G 1/2	5,0	17	27	31,0	46	RE-MAV-06S-R 1/2"
		8	G 1/2	5,0	19	27	31,0	46	RE-MAV-08S-R 1/2"
		10	G 1/2	5,0	22	27	30,5	47	RE-MAV-10S-R 1/2"
		12	G 1/2	5,0	24	27	30,5	47	RE-MAV-12S-R 1/2"
		14	G 1/2	5,0	27	27	32,0	48	RE-MAV-14S-R 1/2"



**Einstellbare Manometer-
Anschlußverschraubung gerade**
mit Dichtkantenring
Anschlußgewinde: Whitworth-Rohrgewinde

RE 534



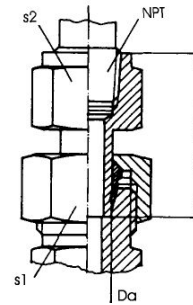
	PN	Da	G	h	s1	s2	S	RE-No.
L	250	6	G 1/4	4,5	14	19	38,0	RE-MAVEV-06L-R 1/4"
		8	G 1/4	4,5	17	19	38,0	RE-MAVEV-08L-R 1/4"
		10	G 1/4	4,5	19	19	39,5	RE-MAVEV-10L-R 1/4"
		12	G 1/4	4,5	22	19	40,5	RE-MAVEV-12L-R 1/4"
S	630	6	G 1/2	5,0	17	27	48,0	RE-MAVEV-06S-R 1/2"
		8	G 1/2	5,0	19	27	48,0	RE-MAVEV-08S-R 1/2"
		10	G 1/2	5,0	22	27	50,0	RE-MAVEV-10S-R 1/2"
		12	G 1/2	5,0	24	27	47,5	RE-MAVEV-12S-R 1/2"



**Einstellbare Manometer-
Anschlußverschraubung gerade**

Anschlußgewinde: NPT

RE 536

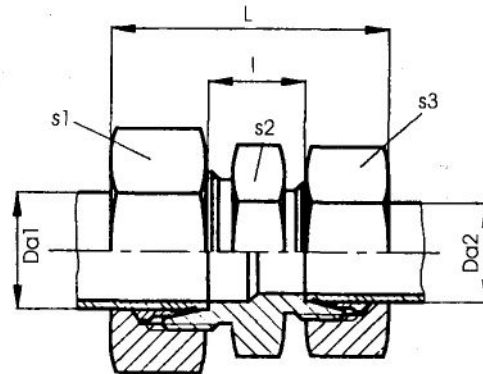


	PN	Da	NPT	s1	s2	s	RE-No.
L	250	6	1/4 NPT	14	19	38,0	RE-MAVEV-06L-NPT 1/4"
		8	1/4 NPT	17	19	38,0	RE-MAVEV-08L-NPT 1/4"
		10	1/4 NPT	19	19	39,5	RE-MAVEV-10L-NPT 1/4"
		12	1/4 NPT	22	19	40,5	RE-MAVEV-12L-NPT 1/4"
S	630	6	1/2 NPT	17	27	45,0	RE-MAVEV-06S-NPT 1/2"
		8	1/2 NPT	19	27	45,0	RE-MAVEV-08S-NPT 1/2"
		10	1/2 NPT	22	27	47,0	RE-MAVEV-10S-NPT 1/2"
		12	1/2 NPT	24	27	47,5	RE-MAVEV-12S-NPT 1/2"



Gerade Reduzierschraubung

RE 539

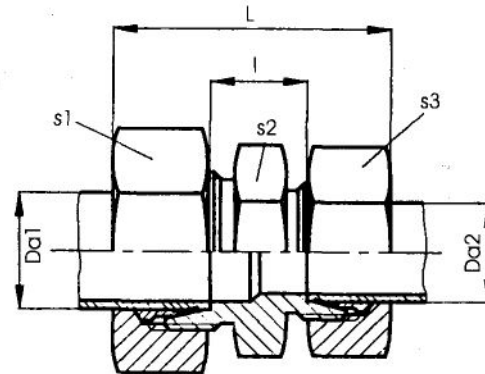


	PN	Da1	Da 2	s1	s2	s3	L	l	RE-No.	
L	250	8	6	17	14	14	40,0	11,0	RE-GRV-08/06L	
		10	6	19	17	14	41,0	12,0	RE-GRV-10/06L	
		10	8	19	17	17	41,0	12,0	RE-GRV-10/08L	
		12	6	22	19	14	42,0	13,0	RE-GRV-12/06L	
		12	8	22	19	17	42,0	13,0	RE-GRV-12/08L	
		12	10	22	19	19	43,0	14,0	RE-GRV-12/10L	
		15	6	27	24	14	43,5	14,0	RE-GRV-15/06L	
		15	8	27	24	17	43,5	14,0	RE-GRV-15/08L	
	160	15	10	27	24	19	44,5	15,0	RE-GRV-15/10L	
			15	12	27	24	22	44,5	15,0	RE-GRV-15/12L
			18	8	32	27	17	45,0	14,5	RE-GRV-18/08L
			18	10	32	27	19	46,0	15,5	RE-GRV-18/10L
		22	12	36	32	22	48,0	17,5	RE-GRV-22/12L	
			15	36	32	27	49,0	18,5	RE-GRV-22/15L	
			18	36	32	32	51,0	18,0	RE-GRV-22/18L	
			28	10	41	41	19	49,5	18,5	RE-GRV-28/10L
	100	28	15	41	41	27	51,0	19,5	RE-GRV-28/15L	
			18	41	41	32	52,0	19,0	RE-GRV-28/18L	
			22	41	41	36	54,0	21,0	RE-GRV-28/22L	
			35	28	50	46	41	59,0	21,0	RE-GRV-35/28L
		42	28	60	55	41	61,5	22,5	RE-GRV-42/28L	
			35	60	55	50	66,5	21,5	RE-GRV-42/35L	



Gerade Reduzierschraubung

RE 539

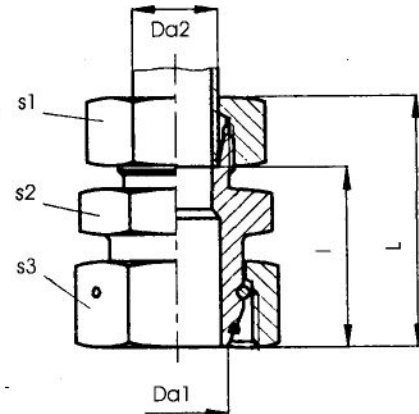


	PN	Da1	Da 2	s1	s2	s3	L	I	RET-No.
S	630	8	6	19	17	17	47,0	18,0	RE-GRV-08/06S
		10	6	22	19	17	48,0	17,5	RE-GRV-10/06S
		10	8	22	19	19	48,0	17,5	RE-GRV-10/08S
		12	6	24	22	17	50,0	19,5	RE-GRV-12/06S
		12	8	24	22	19	50,0	19,5	RE-GRV-12/08S
		12	10	24	22	22	51,0	19,0	RE-GRV-12/10S
	400	14	10	27	24	22	54,0	20,5	RE-GRV-14/10S
		14	12	27	24	24	54,0	20,5	RE-GRV-14/12S
		16	10	30	27	22	54,5	20,0	RE-GRV-16/10S
		16	12	30	27	24	54,0	20,0	RE-GRV-16/12S
		16	14	30	27	27	57,0	21,5	RE-GRV-16/14S
		20	10	36	32	22	59,5	22,0	RE-GRV-20/10S
		20	12	36	32	24	59,5	22,0	RE-GRV-20/12S
		20	14	36	32	27	62,5	23,5	RE-GRV-20/14S
		20	16	36	32	30	62,5	23,0	RE-GRV-20/16S
		25	16	46	41	30	64,5	25,5	RE-GRV-25/16S
	25	20	46	41	36	71,0	25,5	RE-GRV-25/20S	
	250	30	20	50	46	36	74,0	26,0	RE-GRV-30/20S
		30	25	50	46	46	77,0	26,5	RE-GRV-30/25S
		38	30	60	55	50	87,0	29,5	RE-GRV-38/30S



Konus-Reduzier-Anschluß-Verschraubung

RE 540

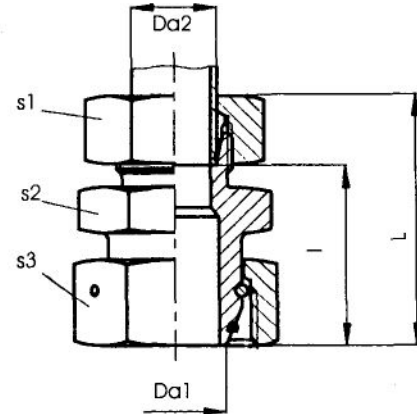


	PN	Da1	Da2	s1	s2	s3	L	I	O-Ring	RE-No.	
S	630	8	6	19	14	17	38	23,5	6 x 1,5	RE-GRKV-08/06-S	
		10	6	22	17	17	40	25,0	7,5 x 1,5	RE-GRKV-10/06-S	
		10	8	22	17	19	40	25,0	7,5 x 1,5	RE-GRKV-10/08-S	
		12	6	24	19	17	40	25,0	9 x 1,5	RE-GRKV-12/06-S	
		12	8	24	19	19	40	25,0	9 x 1,5	RE-GRKV-12/08-S	
		12	10	24	19	22	41	26,0	9 x 1,5	RE-GRKV-12/10-S	
		14	6	27	22	17	43	28,5	10 x 2	RE-GRKV-14/06-S	
		14	8	27	22	19	43	28,5	10 x 2	RE-GRKV-14/08-S	
		14	10	27	22	22	44	29,5	10 x 2	RE-GRKV-14/10-S	
		14	12	27	22	24	44	29,5	10 x 2	RE-GRKV-14/12-S	
		16	6	30	22	17	43	28,0	12 x 2	RE-GRKV-16/06-S	
		16	8	30	22	19	43	28,0	12 x 2	RE-GRKV-16/08-S	
		16	10	30	22	22	44	29,0	12 x 2	RE-GRKV-16/10-S	
		16	12	30	22	24	44	29,0	12 x 2	RE-GRKV-16/12-S	
		16	14	30	24	27	45	30,0	12 x 2	RE-GRKV-16/14-S	
		400	20	6	36	27	17	47	32,0	16,3 x 2,4	RE-GRKV-20/06-S
	8			36	27	19	47	32,0	16,3 x 2,4	RE-GRKV-20/08-S	
	10			36	27	22	48	33,0	16,3 x 2,4	RE-GRKV-20/10-S	
	12			36	27	24	48	33,0	16,3 x 2,4	RE-GRKV-20/12-S	
	14			36	27	27	49	34,0	16,3 x 2,4	RE-GRKV-20/14-S	
	16			36	27	30	50	33,5	16,3 x 2,4	RE-GRKV-20/16-S	
	25		6	46	36	17	49	34,0	22,3 x 2,4	RE-GRKV-25/06-S	
			8	46	36	19	49	34,0	22,3 x 2,4	RE-GRKV-25/08-S	
			10	46	36	22	50	34,0	22,3 x 2,4	RE-GRKV-25/10-S	
			12	46	36	24	50	34,0	22,3 x 2,4	RE-GRKV-25/12-S	
			14	46	36	27	49	51,0	22,3 x 2,4	RE-GRKV-25/14-S	
			16	46	36	30	49	52,0	22,3 x 2,4	RE-GRKV-25/16-S	
			20	46	36	36	49	54,0	22,3 x 2,4	RE-GRKV-25/20-S	
			30	6	50	41	17	52	37,0	27 x 2,4	RE-GRKV-30/06-S
				8	50	41	19	52	37,0	27 x 2,4	RE-GRKV-30/08-S
				10	50	41	22	53	38,0	27 x 2,4	RE-GRKV-30/10-S
	12			50	41	24	53	38,0	27 x 2,4	RE-GRKV-30/12-S	
	30		14	50	41	27	54	39,0	27 x 2,4	RE-GRKV-30/14-S	
			16	50	41	30	55	38,5	27 x 2,4	RE-GRKV-30/16-S	
			20	50	41	36	57	40,5	27 x 2,4	RE-GRKV-30/20-S	
		25	50	41	46	57	40,5	27 x 2,4	RE-GRKV-30/25-S		
	315	42	6	60	50	17	55	40,5	33,3 x 2,4	RE-GRKV-42/06-S	
		8	60	50	19	55	40,5	33,3 x 2,4	RE-GRKV-42/08-S		
		10	60	50	22	56	41,5	33,3 x 2,4	RE-GRKV-42/10-S		
		12	60	50	24	56	41,5	33,3 x 2,4	RE-GRKV-42/12-S		
		14	60	50	27	58	42,5	33,3 x 2,4	RE-GRKV-42/14-S		
		16	60	50	30	58	42,0	33,3 x 2,4	RE-GRKV-42/16-S		
20		60	50	36	60	44,0	33,3 x 2,4	RE-GRKV-42/20-S			
25		60	50	46	61	44,0	33,3 x 2,4	RE-GRKV-42/25-S			
42		30	60	50	50	65	43,0	33,3 x 2,4	RE-GRKV-42/30-S		



Konus-Reduzier-Anschluß-Verschraubung

RE 540

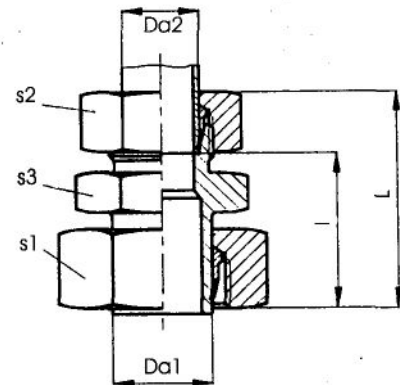


	PN	Da1	Da2	s1	s2	s3	L	I	O-Ring	RE-No.	
L	315	8	6	17	12	14	38	23,5	6 x 1,5	RE-GRKV-08/06-L	
		10	6	19	14	14	40	25,0	7,5 x 1,5	RE-GRKV-10/06-L	
		10	8	19	14	17	40	25,0	7,5 x 1,5	RE-GRKV-10/08-L	
		12	6	22	17	14	40	25,0	9 x 1,5	RE-GRKV-12/06-L	
		12	8	22	17	17	40	25,0	9 x 1,5	RE-GRKV-12/08-L	
		12	10	22	17	19	41	26,0	9 x 1,5	RE-GRKV-12/10-L	
		15	6	27	22	14	43	28,5	12 x 2	RE-GRKV-15/06-L	
		15	8	27	22	17	43	28,5	12 x 2	RE-GRKV-15/08-L	
		15	10	27	22	19	44	29,5	12 x 2	RE-GRKV-15/10-L	
		15	12	27	19	22	44	29,5	12 x 2	RE-GRKV-15/12-L	
		18	6	32	24	14	43	28,0	15 x 2,5	RE-GRKV-18/06-L	
		18	8	32	24	17	43	28,0	15 x 2,5	RE-GRKV-18/08-L	
		18	10	32	24	19	44	29,0	15 x 2,5	RE-GRKV-18/10-L	
		18	12	32	24	22	44	29,0	15 x 2,5	RE-GRKV-18/12-L	
		18	15	32	24	27	45	30,0	15 x 2,5	RE-GRKV-18/15-L	
		160	22	6	36	27	14	47	32,0	20 x 2	RE-GRKV-22/06-L
			22	8	36	27	17	47	32,0	20 x 2	RE-GRKV-22/08-L
			22	10	36	27	19	48	33,0	20 x 2	RE-GRKV-22/10-L
	22		12	36	27	22	48	33,0	20 x 2	RE-GRKV-22/12-L	
	22		15	36	27	27	49	34,0	20 x 2	RE-GRKV-22/15-L	
	22		18	36	27	32	50	33,5	20 x 2	RE-GRKV-22/18-L	
	28		6	41	36	14	49	34,0	26 x 2	RE-GRKV-28/06-L	
	28		8	41	36	17	49	34,0	26 x 2	RE-GRKV-28/08-L	
	28		10	41	36	19	50	34,0	26 x 2	RE-GRKV-28/10-L	
	28		12	41	36	22	50	34,0	26 x 2	RE-GRKV-28/12-L	
	28		15	41	36	27	49	34,0	26 x 2	RE-GRKV-28/15-L	
	28		18	41	36	32	49	34,0	26 x 2	RE-GRKV-28/18-L	
	28		22	41	36	36	49	34,0	26 x 2	RE-GRKV-28/22-L	
	35		6	50	46	14	52	37,0	32 x 2,5	RE-GRKV-35/06-L	
	35		8	50	46	17	52	37,0	32 x 2,5	RE-GRKV-35/08-L	
	35		10	50	46	19	53	38,0	32 x 2,5	RE-GRKV-35/10-L	
	35		12	50	46	22	53	38,0	32 x 2,5	RE-GRKV-35/12-L	
	35		15	50	46	27	54	39,0	32 x 2,5	RE-GRKV-35/15-L	
	35		18	50	46	32	55	38,5	32 x 2,5	RE-GRKV-35/18-L	
	35		22	50	46	36	57	40,5	32 x 2,5	RE-GRKV-35/22-L	
	35		28	50	46	41	57	40,5	32 x 2,5	RE-GRKV-35/28-L	
	42		6	60	50	14	55	40,5	38 x 2,5	RE-GRKV-42/06-L	
	42		8	60	50	17	55	40,5	38 x 2,5	RE-GRKV-42/08-L	
	42		10	60	50	19	56	41,5	38 x 2,5	RE-GRKV-42/10-L	
	42	12	60	50	22	56	41,5	38 x 2,5	RE-GRKV-42/12-L		
	42	15	60	50	27	58	42,5	38 x 2,5	RE-GRKV-42/15-L		
	42	18	60	50	32	58	42,0	38 x 2,5	RE-GRKV-42/18-L		
42	22	60	50	36	60	44,0	38 x 2,5	RE-GRKV-42/22-L			
42	28	60	50	41	61	44,0	38 x 2,5	RE-GRKV-42/28-L			
42	35	60	50	50	65	43,0	38 x 2,5	RE-GRKV-42/35-L			



Konus-Reduzierschraubung

RE 540

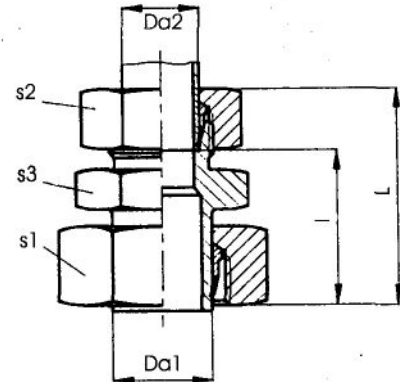


	PN	Da1	Da2	s1	s2	s3	L	I	RE-No.
L	250	8	6	17	14	12	38	23,5	RE-KOR-08/06L
		10	6	19	14	14	38	23,5	RE-KOR-10/06L
		10	8	19	17	14	38	23,5	RE-KOR-10/08L
		12	6	22	14	14	38	23,5	RE-KOR-12/06L
		12	8	22	17	14	38	23,5	RE-KOR-12/08L
		12	10	22	19	17	39	24,5	RE-KOR-12/10L
		15	6	27	14	17	38	23,5	RE-KOR-15/06L
		15	8	27	17	17	38	23,5	RE-KOR-15/08L
		15	10	27	19	17	39	24,5	RE-KOR-15/10L
		15	12	27	22	19	39	24,5	RE-KOR-15/12L
	160	18	6	32	14	22	39	24,5	RE-KOR-18/06L
		18	8	32	17	22	39	24,5	RE-KOR-18/08L
		18	10	32	19	22	40	25,5	RE-KOR-18/10L
		18	12	32	22	22	40	25,5	RE-KOR-18/12L
		18	15	32	27	24	42	26,5	RE-KOR-18/15L
		22	6	36	14	24	40	25,5	RE-KOR-22/06L
		22	8	36	17	24	40	25,5	RE-KOR-22/08L
		22	10	36	19	24	41	26,5	RE-KOR-22/10L
		22	12	36	22	24	41	26,5	RE-KOR-22/12L
		22	15	36	27	24	43	27,5	RE-KOR-22/15L
22	18	36	32	27	43	27,0	RE-KOR-22/18L		



Konus-Reduzierschraubung

RE 540

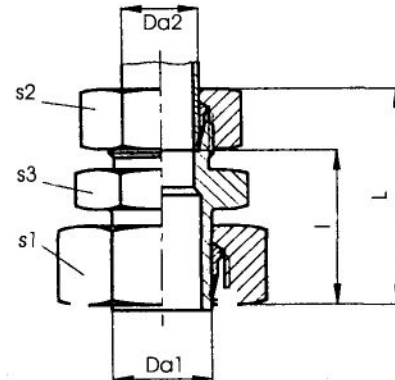


	PN	Da1	Da 2	s1	s2	s3	L	I	RE-No.
L	100	28	6	41	14	30	41	26,5	RE-KOR-28/06L
		28	8	41	17	30	41	26,5	RE-KOR-28/08L
		28	10	41	19	30	42	27,5	RE-KOR-28/10L
		28	12	41	22	30	42	27,5	RE-KOR-28/12L
		28	15	41	27	30	44	28,5	RE-KOR-28/15L
		28	18	41	32	30	44	28,0	RE-KOR-28/18L
		28	22	41	36	30	46	30,0	RE-KOR-28/22L
		35	6	50	14	36	46	31,5	RE-KOR-35/06L
		35	8	50	17	36	46	31,5	RE-KOR-35/08L
		35	10	50	19	36	47	32,5	RE-KOR-35/10L
		35	12	50	22	36	47	32,5	RE-KOR-35/12L
		35	15	50	27	36	49	33,5	RE-KOR-35/15L
		35	18	50	32	36	49	33,0	RE-KOR-35/18L
		35	22	50	36	36	51	35,0	RE-KOR-35/22L
		35	28	50	41	36	52	35,0	RE-KOR-35/28L
		42	10	60	19	46	48	33,5	RE-KOR-42/10L
		42	12	60	22	46	48	33,5	RE-KOR-42/12L
		42	15	60	27	46	50	34,5	RE-KOR-42/15L
		42	18	60	32	46	50	34,0	RE-KOR-42/18L
		42	22	60	36	46	52	36,0	RE-KOR-42/22L
		42	28	60	41	46	53	36,0	RE-KOR-42/28L
		42	35	60	50	46	57	35,0	RE-KOR-42/35L



Konus-Reduzierschraubung

RE 540



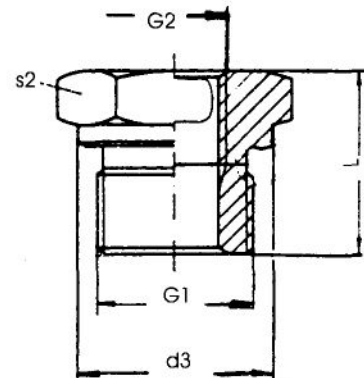
	PN	Da1	Da 2	s1	s2	s3	L	I	RE-No.	
S	630	8	6	19	17	14	40	25,0	RE-KOR-08/06S	
		10	6	22	17	14	41	26,0	RE-KOR-10/06S	
		10	8	22	19	17	41	26,0	RE-KOR-10/08S	
		12	6	24	17	17	42	27,0	RE-KOR-12/06S	
		12	8	24	19	19	42	27,0	RE-KOR-12/08S	
		12	10	24	22	19	43	26,5	RE-KOR-12/10S	
		14	6	27	17	17	44	29,0	RE-KOR-14/06S	
		14	8	27	19	17	44	29,0	RE-KOR-14/08S	
		14	10	27	22	19	45	28,5	RE-KOR-14/10S	
		14	12	27	24	22	45	28,5	RE-KOR-14/12S	
		400	16	6	30	17	19	44	29,0	RE-KOR-16/06S
			16	8	30	19	19	44	29,0	RE-KOR-16/08S
	16		10	30	22	19	45	28,5	RE-KOR-16/10S	
	16		12	30	24	22	45	28,5	RE-KOR-16/12S	
	16		14	30	27	24	48	30,0	RE-KOR-16/14S	
	20		6	36	17	22	49	34,0	RE-KOR-20/06S	
	20		8	36	19	22	49	34,0	RE-KOR-20/08S	
	20		10	36	22	22	50	33,5	RE-KOR-20/10S	
	20		12	36	24	22	50	33,5	RE-KOR-20/12S	
	20		14	36	27	24	53	35,0	RE-KOR-20/14S	
	20		16	36	30	24	53	34,5	RE-KOR-20/16S	
	25		6	46	17	27	52	37,0	RE-KOR-25/06S	
	25		8	46	19	27	52	37,0	RE-KOR-25/08S	
	25		10	46	22	27	53	36,5	RE-KOR-25/10S	
	25		12	46	24	27	53	36,5	RE-KOR-25/12S	
	25		14	46	27	27	55	37,0	RE-KOR-25/14S	
	25	16	46	30	27	55	36,5	RE-KOR-25/16S		
	25	20	46	36	32	59	37,5	RE-KOR-25/20S		



Reduzierstutzen Außen- und Innengewinde

Whitworth-Rohrgewinde

RE 543



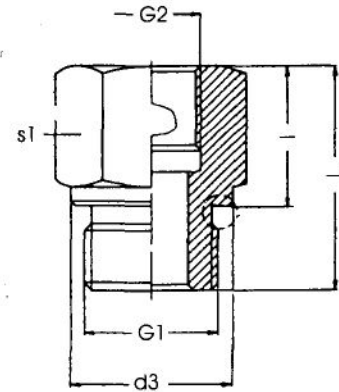
G1	G2	S2	d3	L	I	RE-No
G 3/8 A	G 1/8	22	22	22,5	10,5	RE-RI-3/8 - 1/8
G 1/2 A	G 1/8	27	26	24,0	10,0	RE-RI-1/2 - 1/8
G 1/2 A	G 1/4	27	26	24,0	10,0	RE-RI-1/2 - 1/4
G 3/4 A	G 1/4	32	32	26,0	10,0	RE-RI-3/4 - 1/4
G 3/4 A	G 3/8	32	32	26,0	10,0	RE-RI-3/4 - 3/8
G 1 A	G 1/4	41	39	29,0	11,0	RE-RI-1 - 1/4
G 1 A	G 3/8	41	39	29,0	11,0	RE-RI-1 - 3/8
G 1 A	G 1/2	41	39	29,0	11,0	RE-RI-1 - 1/2
G 1 1/4 A	G 1/2	50	49	32,0	12,0	RE-RI-1 1/4 - 1/2
G 1 1/4 A	G 3/4	50	49	32,0	12,0	RE-RI-1 1/4 - 3/4
G 1 1/2 A	G 1/2	55	55	36,0	14,0	RE-RI-1 1/2 - 1/2
G 1 1/2 A	G 3/4	55	55	36,0	14,0	RE-RI-1 1/2 - 3/4
G 1 1/2 A	G 1	55	55	36,0	14,0	RE-RI-1 1/2 - 1



Reduzierstutzen Außen- und Innengewinde

Whitworth-Rohrgewinde

RE 543

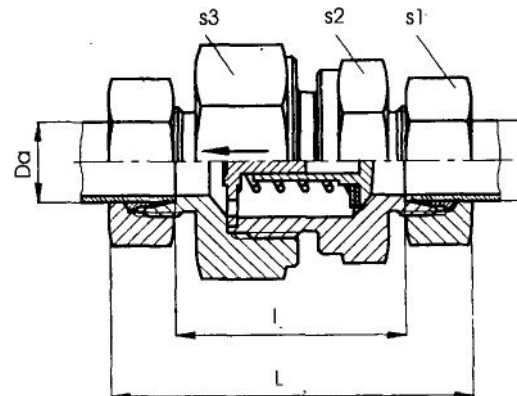


G1	G2	s1	d3	L	I	RE-No
G 1/8 A	G 1/4	19	14	31,0	23,0	RE-RI-1/4 - 1/4
G 1/8 A	G 3/8	24	14	32,0	24,0	RE-RI-3/8 - 3/8
G 1/4 A	G 1/8	19	18	28,0	16,0	RE-RI-1/8 - 1/8
G 1/4 A	G 3/8	24	18	36,0	24,0	RE-RI-1/4 - 3/8
G 1/4 A	G 1/2	27	18	40,0	28,0	RE-RI-1/4 - 1/2
G 1/4 A	G 3/4	36	18	43,0	31,0	RE-RI-1/4 - 3/4
G 3/8 A	G 1/4	22	22	36,0	24,0	RE-RI-3/8 - 1/4
G 3/8 A	G 1/2	27	22	41,0	29,0	RE-RI-3/8 - 1/2
G 3/8 A	G 3/4	36	22	44,0	32,0	RE-RI-3/8 - 3/4
G 1/2 A	G 3/8	27	26	36,0	22,0	RE-RI-1/2 - 3/8
G 1/2 A	G 3/4	36	26	46,0	32,0	RE-RI-1/2 - 3/4
G 1/2 A	G 1	41	26	49,0	35,0	RE-RI-1/2 - 1
G 1/2 A	G 1 1/4	55	26	53,0	39,0	RE-RI-1/2 - 1 1/4
G 3/4 A	G 1/2	32	32	41,0	25,0	RE-RI-3/4 - 1/2
G 3/4 A	G 1	41	32	51,0	35,0	RE-RI-3/4 - 1
G 3/4 A	G 1 1/4	55	32	55,0	39,0	RE-RI-3/4 - 1 1/4
G 3/4 A	G 1 1/2	60	32	57,0	41,0	RE-RI-3/4 - 1 1/2
G 1 A	G 3/4	41	39	47,0	29,0	RE-RI-1 - 3/4
G 1 A	G 1 1/4	55	39	57,0	39,0	RE-RI-1 - 1 1/4
G 1 A	G 1 1/2	60	39	59,0	41,0	RE-RI-1 - 1 1/2
G 1 1/4 A	G 1	50	49	52,0	32,0	RE-RI-1 1/4 - 1
G 1 1/4 A	G 1 1/2	60	49	60,0	40,0	RE-RI-1 1/4 - 1 1/2
G 1 1/2 A	G 1 1/4	55	55	58,0	36,0	RE-RI-1 1/2 - 1 1/4



Rückschlagventil
beidseitiger Rohranschluß

RE 550



	PN	Da	s1	s2	s3	L	I	RET-No.
L	250	6	14	17	17	58,0	29,0	RE-RHD-06L
		8	17	17	19	59,0	30,0	RE-RHD-08L
		10	19	22	24	69,5	40,5	RE-RHD-10L
		12	22	27	30	72,5	43,5	RE-RHD-12L
		15	27	27	30	77,5	47,5	RE-RHD-15L
	160	18	32	36	36	83,5	51,5	RE-RHD-18L
		22	36	41	46	93,5	61,5	RE-RHD-22L
	100	28	41	50	55	104,5	71,5	RE-RHD-28L
		35	50	60	60	111,5	68,5	RE-RHD-35L
		42	60	80	90	128,0	83,0	RE-RHD-42L
S	400	6	17	19	19	63,5	34,5	RE-RHD-06S
		8	19	19	22	63,5	34,5	RE-RHD-08S
		10	22	24	27	72,5	40,5	RE-RHD-10S
		12	24	27	30	74,5	42,5	RE-RHD-12S
		14	27	27	32	82,5	47,5	RE-RHD-14S
		16	30	32	36	86,5	50,5	RE-RHD-16S
		20	36	41	46	97,5	54,5	RE-RHD-20S
	250	25	46	46	50	106,5	58,5	RE-RHD-25S
		30	50	55	60	122,5	69,5	RE-RHD-30S
		38	60	65	70	136,5	75,5	RE-RHD-38S



Rückschlagventil

Stömungsrichtung zum Einschraubzapfen

Einschraubgewinde:

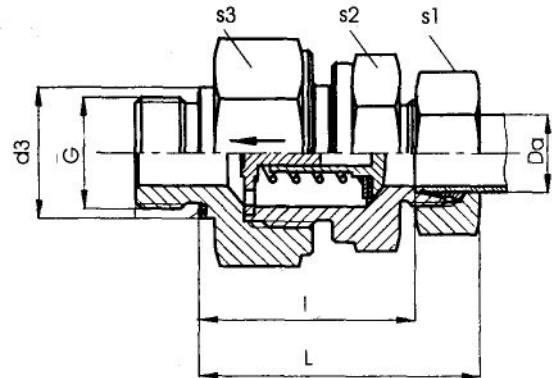
Whitworth Rohrgewinde

(zylindr. DIN ISO 228)

Einschraubzapfen mit Viton Weichdichtung

(-20 °C bis + 200 °C)

RE 551



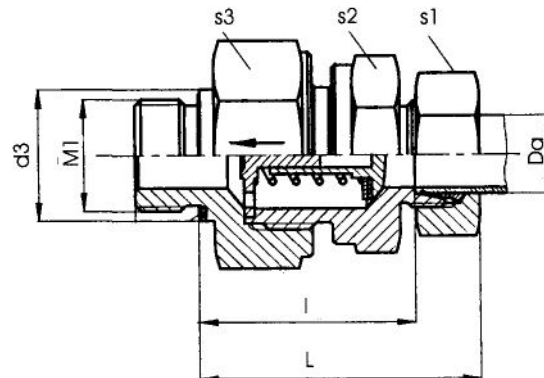
	PN	Da	G	s1	s2	s3	L	l	d3	RE-No.
L	250	6	G 1/8 A	14	17	17	41,0	26,5	14	RE-RHZ-06L-R1/8"
		8	G 1/4 A	17	17	19	43,0	28,5	19	RE-RHZ-08L-R1/4"
		10	G 1/4 A	19	22	24	53,0	38,5	19	RE-RHZ-10L-R1/4"
		12	G 3/8 A	22	27	30	55,0	40,5	22	RE-RHZ-12L-R3/8"
		15	G 1/2 A	27	27	30	57,5	42,5	27	RE-RHZ-15L-R1/2"
	160	18	G 1/2 A	32	36	36	69,0	48,0	27	RE-RHZ-18L-R1/2"
		22	G 3/4 A	36	41	46	72,0	56,0	32	RE-RHZ- 22L-R3/4"
	100	28	G 1 A	41	50	55	80,5	64,0	40	RE-RHZ- 28L-R1"
		35	G 1 1/4 A	50	60	60	85,5	64,0	50	RE-RHZ-35L-R1 1/4"
		42	G 1 1/2 A	60	80	90	105,5	81,0	55	RE-RHZ-42L-R1 1/2"
S	400	6	G 1/4 A	17	19	19	46,0	31,5	19	RE-RHZ-06S-R1/4"
		8	G 1/4 A	19	19	22	46,0	31,5	19	RE-RHZ-08S-R1/4"
		10	G 3/8 A	22	24	27	54,0	38,0	22	RE-RHZ-10S-R3/8"
		12	G 3/8 A	24	27	30	57,0	41,0	22	RE-RHZ-14S-R3/8"
		14	G 1/2 A	27	27	32	61,0	43,5	27	RE-RHZ-06S-R1/2"
		16	G 1/2 A	30	32	36	64,0	46,0	27	RE-RHZ-16S-R1/2"
		20	G 3/4 A	36	41	46	71,0	50,0	32	RE-RHZ- 20S-R3/4"
	250	25	G 1 A	46	46	50	78,5	54,5	40	RE-RHZ-25S-R1"
		30	G 1 1/4 A	50	55	60	90,5	64,0	55	RE-RHZ-30S-R1 1/4"
		38	G 1 1/2 A	60	65	70	102,0	71,5	55	RE-RHZ-38S-R1 1/2"



Rückschlagventil

Strömungsrichtung zum Einschraubzapfen
Einschraubgewinde:
Metrisches Gewinde
(zylindr. DIN13)
Einschraubzapfen mit
Viton Weichdichtung
(-20°C - 200°C)

RE 552



	PN	Da	M1	s1	s2	s3	L	I	d3	RE-No.
L	250	6	M10 x 1	14	17	17	42,5	28,0	14	RE-RHZ-06L-M10 x 1
		8	M12 x 1,5	17	17	19	43,5	29,0	17	RE-RHZ-08L-M12 x 1,5
		10	M14 x 1,5	19	22	24	53,0	38,5	19	RE-RHZ-10L-M14 x 1,5
		12	M16 x 1,5	22	27	30	57,0	42,5	22	RE-RHZ-12L-M16 x 1,5
		15	M18 x 1,5	27	27	30	60,5	45,5	24	RE-RHZ-15L-M18 x 1,5
	160	18	M22 x 1,5	32	36	36	66,0	50,0	27	RE-RHZ-18L-M22 x 1,5
		22	M26 x 1,5	36	41	46	71,0	55,0	32	RE-RHZ- 22L-M26 x 1,5
	100	28	M33 x 2	41	50	55	81,5	65,0	40	RE-RHZ- 28L-M33 x 2
		35	M42 x 2	50	60	60	90,5	69,0	50	RE-RHZ- 35L-M42 x 2
		42	M48 x 2	60	80	90	103,5	81,0	55	RE-RHZ- 42L-M48 x 2
S	400	6	M12 x 1,5	17	19	19	46,0	31,5	17	RE-RHZ-06S-M12 x 1,5
		8	M14 x 1,5	19	19	22	46,0	31,5	19	RE-RHZ-08S-M14 x 1,5
		10	M16 x 1,5	22	24	27	54,0	38,0	22	RE-RHZ-10S-M16 x 1,5
		12	M18 x 1,5	24	27	30	57,0	41,0	24	RE-RHZ-12S-M18 x 1,5
		14	M20 x 1,5	27	27	32	62,0	44,5	26	RE-RHZ-14S-M20 x 1,5
		16	M22 x 1,5	30	32	36	66,0	48,0	27	RE-RHZ-16S-M22 x 1,5
		20	M27 x 2	36	41	46	73,5	52,0	32	RE-RHZ-20S-M27 x 2
	250	25	M33 x 2	46	46	50	78,5	54,5	40	RE-RHZ- 25S-M33 x 2
		30	M42 x 2	50	55	60	90,5	64,0	50	RE-RHZ- 30S-M42 x 2
		38	M48 x 2	60	65	70	100,0	69,5	55	RE-RHZ- 38S-M48 x 2



Rückschlagventil

Stömungsrichtung zum Einschraubzapfen

Einschraubgewinde:

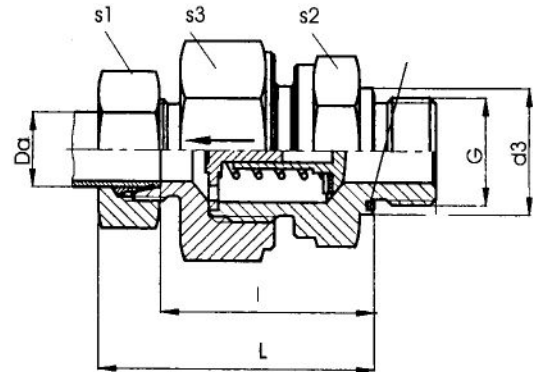
Whitworth Rohrgewinde

(zylindr. DIN ISO 228)

Einschraubzapfen mit Viton Weichdichtung

(-20 °C bis + 200 °C)

RE 553



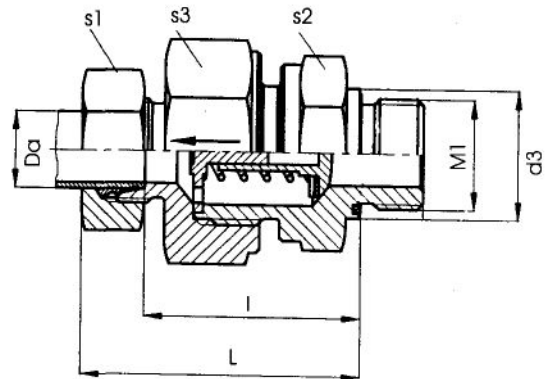
	PN	Da	G	s1	s2	s3	L	I	d3	RE-No.
L	250	6	G 1/8 A	14	17	17	42,5	28,0	14	RE-RHV-06L-R1/8"
		8	G1/4 A	17	19	19	42,5	30,0	19	RE-RHV-08L-R1/4"
		10	G1/4 A	19	22	24	50,0	35,5	19	RE-RHV-10L-R1/4"
		12	G 3/8 A	22	27	30	57,0	42,5	22	RE-RHV-12L-R3/8"
		15	G 1/2 A	27	27	30	60,5	45,5	27	RE-RHV-15L-R1/2"
	160	18	G 1/2 A	32	36	36	66,0	49,0	27	RE-RHV-18L-R1/2"
		22	G 3/4 A	36	41	46	71,0	55,0	32	RE-RHV-22L-R3/4"
	100	28	G 1 A	41	50	55	81,5	65,0	40	RE-RHV-28L-R1"
		35	G 1 1/4 A	50	60	60	90,5	69,0	50	RE-RHV-35L-R1 1/4"
		42	G 1 1/2 A	60	80	90	103,5	81,0	55	RE-RHV-42L-R1 1/2"
S	400	6	G 1/4 A	17	19	19	46,0	31,5	19	RE-RHV-06S-R1/4"
		8	G 1/4 A	19	19	22	46,0	31,5	19	RE-RHV-08S-R1/4"
		10	G 3/8 A	22	24	27	54,0	38,0	22	RE-RHV-10S-R3/8"
		12	G 3/8 A	24	27	30	57,0	41,0	22	RE-RHV-12S-R3/8"
		14	G 1/2 A	27	27	32	62,0	44,5	27	RE-RHV-14S-R1/2"
		16	G 1/2 A	30	32	36	65,0	48,0	27	RE-RHV-16S-R1/2"
		20	G 3/4 A	36	41	46	73,5	52,0	32	RE-RHV-20S-R3/4"
	250	25	G 1 A	46	46	50	78,5	54,5	40	RE-RHV-25S-R1"
		30	G 1 1/4 A	50	55	60	90,5	64,0	50	RE-RHV-30S-R1 1/4"
		38	G 1 1/2 A	60	65	70	100,0	69,5	55	RE-RHV-38S-R1 1/2"



Rückschlagventil

Strömungsrichtung von Einschraubzapfen
Einschraubgewinde:
Metrisches Rohrgewinde
(zylindr. DIN 13)
Einschraubzapfen mit
Viton Weichdichtung
(-20°C - 200°C)

RE 554



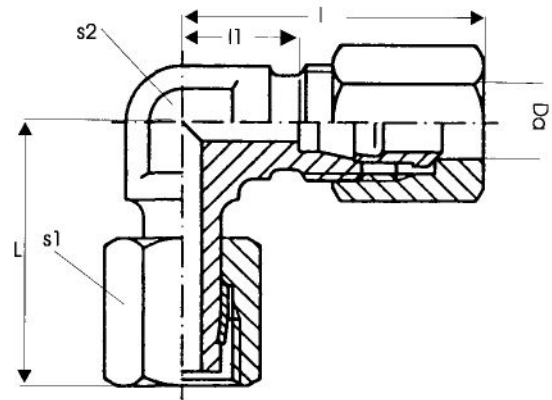
	PN	Da	M1	s1	s2	s3	L	I	d3	RE-No.	
L	250	6	M10 x 1	14	17	17	42,5	28,0	14	RE-RHV-06L-M10 x 1	
		8	M12 x 1,5	17	17	19	43,5	29,0	17	RE-RHV-08L-M12 x 1,5	
		10	M14 x 1,5	19	22	24	53,0	38,5	19	RE-RHV-10L-M14 x 1,5	
		12	M16 x 1,5	22	27	30	57,0	42,5	22	RE-RHV-12L-M16 x 1,5	
		15	M18 x 1,5	27	27	30	60,5	45,5	24	RE-RHV-15L-M18 x 1,5	
	160	18	M22 x 1,5	32	36	36	66,0	50,0	27	RE-RHV-18L-M22 x 1,5	
		22	M26 x 1,5	36	41	46	71,0	55,0	32	RE-RHV-22L-M26 x 1,5	
	100	28	M33 x 2	41	50	55	81,5	65,0	40	RE-RHV- 28L-M33 x 2	
		35	M42 x 2	50	60	60	90,5	69,0	50	RE-RHV- 35L-M42 x 2	
		42	M48 x 2	60	80	90	103,5	81,0	55	RE-RHV- 42L-M48 x 2	
	S	400	6	M12 x 1,5	17	19	19	46,0	31,5	17	RE-RHV-06S-M12 x 1,5
			8	M14 x 1,5	19	19	22	46,0	31,5	19	RE-RHV-08S-M14 x 1,5
10			M16 x 1,5	22	24	27	54,0	38,0	22	RE-RHV-10S-M16 x 1,5	
12			M18 x 1,5	24	27	30	57,0	41,0	24	RE-RHV-12S-M18 x 1,5	
14			M20 x 1,5	27	27	32	62,0	44,5	26	RE-RHV-14S-M20 x 1,5	
16			M22 x 1,5	30	32	36	66,0	48,0	27	RE-RHV-16S-M22 x 1,5	
20			M27 x 2	36	41	46	73,5	52,0	32	RE-RHV- 20S-M27 x 2	
250		25	M33 x 2	46	46	50	78,5	54,5	40	RE-RHV- 25S-M33 x 2	
		30	M42 x 2	50	55	60	90,5	64,0	50	RE-RHV- 30S-M42 x 2	
		38	M48 x 2	60	65	70	100,0	69,5	55	RE-RHV- 38S-M48 x 2	



Einstellbare Winkelverschraubung mit Schaft

Schaft vormontiert
Form DD

RE 564



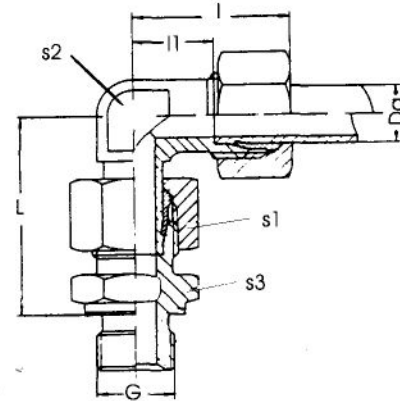
	PN	Da	s1	s2	L	l	l1	RE-No.	
L	250	6	14	12	26,0	27	12,0	RE-EVWV-06L	
		8	17	12	27,5	29	14,0	RE-EVWV-08L	
		10	19	14	29,0	30	15,0	RE-EVWV-10L	
		12	22	17	29,5	32	17,0	RE-EVWV-12L	
		15	27	19	32,5	36	21,0	RE-EVWV-15L	
	160	18	32	24	35,5	40	23,5	RE-EVWV-18L	
		22	36	27	38,5	44	27,5	RE-EVWV-22L	
	100	28	41	36	41,5	47	30,5	RE-EVWV-28L	
		35	50	41	51,0	56	34,5	RE-EVWV-35L	
		42	60	50	56,0	63	40,0	RE-EVWV-42L	
	S	630	6	17	12	27,0	31	16,0	RE-EVWV-06S
			8	19	14	27,5	32	17,0	RE-EVWV-08S
10			22	17	30,0	34	17,5	RE-EVWV-10S	
12			24	17	30,5	38	21,5	RE-EVWV-12S	
14			27	19	34,5	40	22,0	RE-EVWV-14S	
400		16	30	24	36,5	43	24,5	RE-EVWV-16S	
		20	36	27	44,5	48	26,5	RE-EVWV-20S	
		25	46	36	50,0	54	30,0	RE-EVWV-25S	
250		30	50	41	55,0	62	35,5	RE-EVWV-30S	
		38	60	50	63,0	72	41,0	RE-EVWV-38S	



Einstellbare Winkelverschraubung mit Schaft und Einschraubstutzen

Einschraubgewinde: Whitworth-Rohrgew.
(zylindr. DIN ISO 228)

RE 565



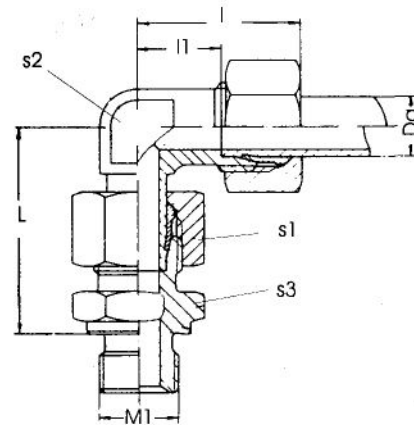
	PN	Da	G	s1	s2	s3	L	I	I1	RE-No.
L	250	6	G 1/8 A	14	12	14	34,5	27	12,0	RE-EVWV-06L-R 1/8"
		8	G 1/4 A	17	12	19	37,5	29	14,0	RE-EVWV-08L-R 1/4"
		10	G 1/4 A	19	14	19	40,0	30	15,0	RE-EVWV-10L-R 1/4"
		12	G 3/8 A	22	17	22	42,0	32	17,0	RE-EVWV-12L-R 3/8"
		15	G 1/2 A	27	19	27	46,5	36	21,0	RE-EVWV-15L-R 1/2"
	160	18	G 1/2 A	32	24	27	50,0	40	23,5	RE-EVWV-18L-R 1/2"
		22	G 3/4 A	36	27	32	55,0	44	27,5	RE-EVWV-22L-R 3/4"
	100	28	G 1 A	41	36	41	59,0	47	30,5	RE-EVWV-28L-R 1"
		35	G 1 1/4 A	50	41	50	68,5	56	34,5	RE-EVWV-35L-R 1 1/4"
42		G 1 1/2 A	60	50	55	75,0	63	40,0	RE-EVWV-42L-R 1 1/2"	
S	630	6	G 1/4 A	17	12	19	40,0	31	16,0	RE-EVWV-06S-R 1/4"
		8	G 1/4 A	19	14	19	42,5	32	17,0	RE-EVWV-08S-R 1/4"
		10	G 3/8 A	22	17	22	45,0	34	17,5	RE-EVWV-10S-R 3/8"
		12	G 3/8 A	24	17	22	48,0	38	21,5	RE-EVWV-12S-R 3/8"
		14	G 1/2 A	27	19	27	54,0	40	22,0	RE-EVWV-14S-R 1/2"
	400	16	G 1/2 A	30	24	27	55,0	43	24,5	RE-EVWV-16S-R 1/2"
		20	G 3/4 A	36	27	32	65,0	48	26,5	RE-EVWV-20S-R 3/4"
		25	G 1 A	46	36	41	73,0	54	30,0	RE-EVWV-25S-R 1"
	250	30	G 1 1/4 A	50	41	50	78,5	62	35,5	RE-EVWV-30S-R 1 1/4"
		38	G 1 1/2 A	60	50	55	89,0	72	41,0	RE-EVWV-38S-R 1 1/2"



Einstellbare Winkelverschraubung mit Schaft und Einschraubstutzen

Einschraubgewinde: Metrisches Gewinde (zylindr. DIN 13)

RE 566



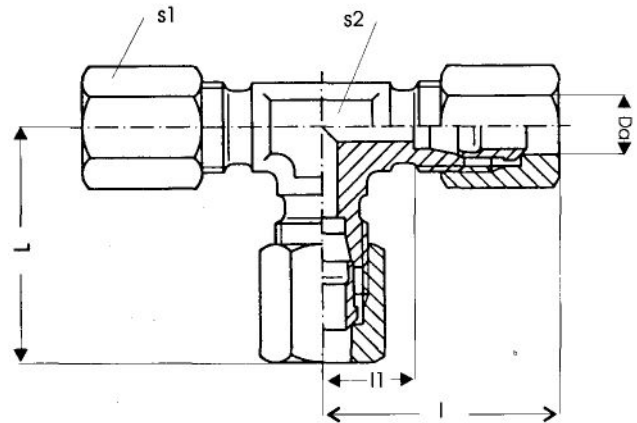
	PN	Da	M1	s1	s2	s3	L	I	I1	RE-No.	
L	250	6	M 10 x 1	14	12	14	34,5	27	12,0	RE-EVWV-06L-M 10 x 1	
		8	M 12 x 1,5	17	12	17	37,5	29	14,0	RE-EVWV-08L-M 12 x 1,5	
		10	M 14 x 1,5	19	14	19	40,0	30	15,0	RE-EVWV-10L-M 14 x 1,5	
		12	M 16 x 1,5	22	17	22	42,0	32	17,0	RE-EVWV-12L-M 16 x 1,5	
		15	M 18 x 1,5	27	19	24	46,0	36	21,0	RE-EVWV-15L-M 18 x 1,5	
	160	18	M 22 x 1,5	32	24	27	50,0	40	23,5	RE-EVWV-18L-M 22 x 1,5	
		22	M 26 x 1,5	36	27	32	55,0	44	27,5	RE-EVWV-22L-M 26 x 1,5	
	100	28	M 33 x 2	41	36	41	57,0	47	30,5	RE-EVWV-28L-M 33 x 2	
		35	M 42 x 2	50	41	50	68,5	56	34,5	RE-EVWV-35L-M 42 x 2	
		42	M 48 x 2	60	50	55	75,0	63	40,0	RE-EVWV-42L-M 48 x 2	
	S	630	6	M 12 x 1,5	17	12	17	40,0	31	16,0	RE-EVWV-06S-M 12 x 1,5
			8	M 14 x 1,5	19	14	19	42,5	32	17,0	RE-EVWV-08S-M 14 x 1,5
10			M 16 x 1,5	22	17	22	45,0	34	17,5	RE-EVWV-10S-M 16 x 1,5	
12			M 18 x 1,5	24	17	24	48,0	38	21,5	RE-EVWV-12S-M 18 x 1,5	
14			M 20 x 1,5	27	19	27	54,0	40	22,0	RE-EVWV-14S-M 20 x 1,5	
400		16	M 22 x 1,5	30	24	27	55,0	43	24,5	RE-EVWV-16S-M 22 x 1,5	
		20	M 27 x 2	36	27	32	65,0	48	26,5	RE-EVWV-20S-M 27 x 2	
		25	M 33 x 2	46	36	41	73,0	54	30,0	RE-EVWV-25S-M 33 x 2	
250		30	M 42 x 2	50	41	50	78,5	62	35,5	RE-EVWV-30S-M 42 x 2	
		38	M 48 x 2	60	50	55	89,0	72	41,0	RE-EVWV-38S-M 48 x 2	



**Einstellbare T-Verschraubung mit
Schaft**

Schaft vormontiert
Form EE

RE 567



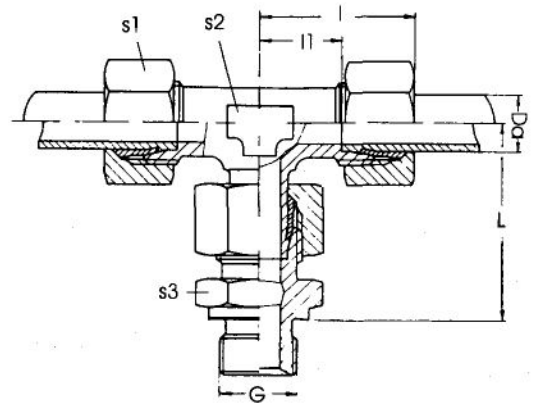
	PN	Da	s1	s2	L	I	I1	RE-No.	
L	250	6	14	12	26,0	27	12,0	RE-EVTV-06L	
		8	17	12	27,5	29	14,0	RE-EVTV-08L	
		10	19	14	29,0	30	15,0	RE-EVTV-10L	
		12	22	17	29,5	32	17,0	RE-EVTV-12L	
		15	27	19	32,5	36	21,0	RE-EVTV-15L	
	160	18	32	24	35,5	40	23,5	RE-EVTV-18L	
		22	36	27	38,5	44	27,5	RE-EVTV-22L	
	100	28	41	36	41,5	47	30,5	RE-EVTV-28L	
		35	50	41	51,0	56	34,5	RE-EVTV-35L	
		42	60	50	56,0	63	40,0	RE-EVTV-42L	
	S	630	6	17	12	27,0	31	16,0	RE-EVTV-06S
			8	19	14	27,5	32	17,0	RE-EVTV-08S
10			22	17	30,0	34	17,5	RE-EVTV-10S	
12			24	17	31,0	38	21,5	RE-EVTV-12S	
14			27	19	35,0	40	22,0	RE-EVTV-14S	
400		16	30	24	36,5	43	24,5	RE-EVTV-16S	
		20	36	27	44,5	48	26,5	RE-EVTV-20S	
		25	46	36	50,0	54	30,0	RE-EVTV-25S	
250		30	50	41	55,0	62	35,5	RE-EVTV-30S	
		38	60	50	63,0	72	41,0	RE-EVTV-38S	



Einstellbare T-Verschraubung mit Schaft und Einschraubstutzen

Einschraubgewinde: Whitworth-Rohrgew.
(zylindr. DIN ISO 228)

RE 568



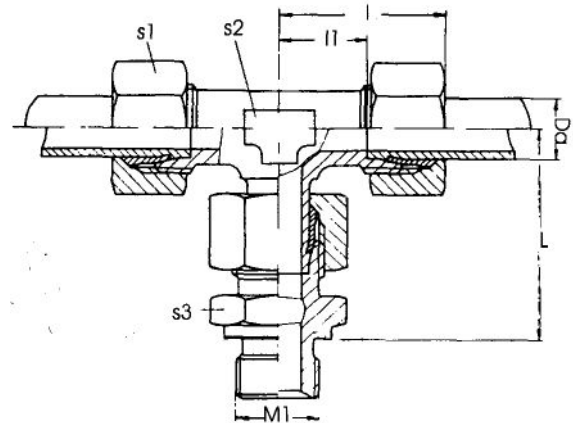
	PN	Da	G	s1	s2	s3	L	I	I1	RE-No.
L	250	6	G 1/8 A	14	12	14	34,5	27	12,0	RE-EVTV-06L-R 1/8"
		8	G 1/4 A	17	12	19	37,5	29	14,0	RE-EVTV-08L-R 1/4"
		10	G 1/4 A	19	14	19	40,0	30	15,0	RE-EVTV-10L-R 1/4"
		12	G 3/8 A	22	17	22	42,0	32	17,0	RE-EVTV-12L-R 3/8"
		15	G 1/2 A	27	19	27	46,0	36	21,0	RE-EVTV-15L-R 1/2"
	160	18	G 1/2 A	32	24	27	50,0	40	23,5	RE-EVTV-18L-R 1/2"
		22	G 3/4 A	36	27	32	55,0	44	27,5	RE-EVTV-22L-R 3/4"
	100	28	G 1 A	41	36	41	59,0	47	30,5	RE-EVTV-28L-R 1"
		35	G 1 1/4 A	50	41	50	68,5	56	34,5	RE-EVTV-35L-R 1 1/4"
		42	G 1 1/2 A	60	50	55	75,0	63	40,0	RE-EVTV-42L-R 1 1/2"
S	630	6	G 1/4 A	17	12	19	40,0	31	16,0	RE-EVTV-06S-R 1/4"
		8	G 1/4 A	19	14	19	42,5	32	17,0	RE-EVTV-08S-R 1/4"
		10	G 3/8 A	22	17	22	45,0	34	17,5	RE-EVTV-10S-R 3/8"
		12	G 3/8 A	24	17	22	48,0	38	21,5	RE-EVTV-12S-R 3/8"
		14	G 1/2 A	27	19	27	54,0	40	22,0	RE-EVTV-14S-R 1/2"
	400	16	G 1/2 A	30	24	27	55,0	43	24,5	RE-EVTV-16S-R 1/2"
		20	G 3/4 A	36	27	32	65,0	48	26,5	RE-EVTV-20S-R 3/4"
		25	G 1 A	46	36	41	73,0	54	30,0	RE-EVTV-25S-R 1"
	250	30	G 1 1/4 A	50	41	50	78,5	62	35,5	RE-EVTV-30S-R 1 1/4"
		38	G 1 1/2 A	60	50	55	89,0	72	41,0	RE-EVTV-38S-R 1 1/2"



Einstellbare T-Verschraubung mit Schaft und Einschraubstutzen

Einschraubgewinde: Metrisches Gewinde (zylindr. DIN 13)

RE 569



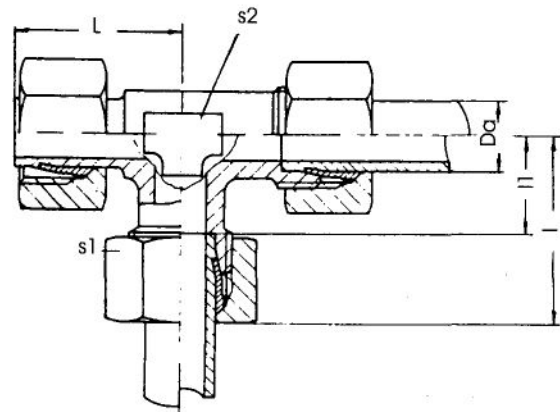
	PN	Da	M1	s1	s2	s3	L	I	l1	RE-No.
L	250	6	M 10 x 1	14	12	14	34,5	27	12,0	RE-EVTV-06L-M 10 x 1
		8	M 12 x 1,5	17	12	17	37,5	29	14,0	RE-EVTV-08L-M 12 x 1,5
		10	M 14 x 1,5	19	14	19	40,0	30	15,0	RE-EVTV-10L-M 14 x 1,5
		12	M 16 x 1,5	22	17	22	42,0	32	17,0	RE-EVTV-12L-M 16 x 1,5
		15	M 18 x 1,5	27	19	24	46,0	36	21,0	RE-EVTV-15L-M 18 x 1,5
	160	18	M 22 x 1,5	32	24	27	50,0	40	23,5	RE-EVTV-18L-M 22 x 1,5
		22	M 26 x 1,5	36	27	32	55,0	44	27,5	RE-EVTV-22L-M 26 x 1,5
	100	28	M 33 x 2	41	36	41	57,0	47	30,5	RE-EVTV- 28L-M 33 x 2
		35	M 42 x 2	50	41	50	68,5	56	34,5	RE-EVTV- 35L-M 42 x 2
		42	M 48 x 2	60	50	55	75,0	63	40,0	RE-EVTV- 42L-M 48 x 2
S	630	6	M 12 x 1,5	17	12	17	40,0	31	16,0	RE-EVTV-06S-M 12 x 1,5
		8	M 14 x 1,5	19	14	19	42,5	32	17,0	RE-EVTV-08S-M 14 x 1,5
		10	M 16 x 1,5	22	17	22	45,0	34	17,5	RE-EVTV-10S-M 16 x 1,5
		12	M 18 x 1,5	24	17	24	48,0	38	21,5	RE-EVTV-12S-M 18 x 1,5
		14	M 20 x 1,5	27	19	27	54,0	40	22,0	RE-EVTV-14S-M 20 x 1,5
	400	16	M 22 x 1,5	30	24	27	55,0	43	24,5	RE-EVTV-16S-M 22 x 1,5
		20	M 27 x 2	36	27	32	65,0	48	26,5	RE-EVTV- 20S-M 27 x 2
		25	M 33 x 2	46	36	41	73,0	54	33,0	RE-EVTV- 25S-M 33 x 2
	250	30	M 42 x 2	50	41	50	78,5	62	35,5	RE-EVTV- 30S-M 42 x 2
		38	M 48 x 2	60	50	55	89,0	72	41,0	RE-EVTV- 38S-M 48 x 2



Einstellbare L-Verbindung mit Schaft

Schaft vormontiert Form FF

RE 570



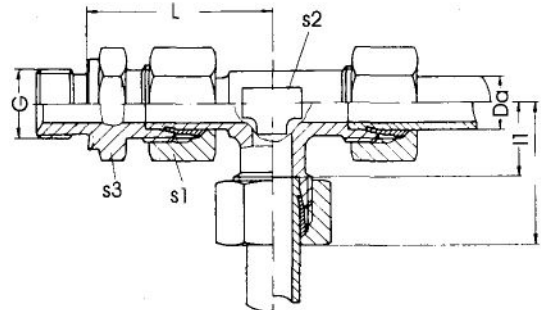
	PN	Da	s1	s2	L	I	I1	RE-No.
L	250	6	14	12	26,0	27	12,0	RE-EVLV-06L
		8	17	12	27,5	29	14,0	RE-EVLV-08L
		10	19	14	29,0	30	15,0	RE-EVLV-10L
		12	22	17	29,5	32	17,0	RE-EVLV-12L
		15	27	19	32,5	36	21,0	RE-EVLV-15L
	160	18	32	24	35,5	40	23,5	RE-EVLV-18L
		22	36	27	38,0	44	27,5	RE-EVLV-22L
	100	28	41	36	41,5	47	30,5	RE-EVLV-28L
		35	50	41	51,0	56	34,5	RE-EVLV-35L
		42	60	50	56,0	63	40,0	RE-EVLV-42L
S	630	6	17	12	27,0	31	16,0	RE-EVLV-06S
		8	19	14	27,5	32	17,0	RE-EVLV-08S
		10	22	17	30,0	34	17,5	RE-EVLV-10S
		12	24	17	31,0	38	21,5	RE-EVLV-12S
		14	27	19	35,0	40	22,0	RE-EVLV-14S
	400	16	30	24	36,5	43	24,5	RE-EVLV-16S
		20	36	27	44,5	48	26,5	RE-EVLV-20S
		25	46	36	50,0	54	30,0	RE-EVLV-25S
	250	30	50	41	55,0	62	35,5	RE-EVLV-30S
		38	60	50	63,0	72	41,0	RE-EVLV-38S



**Einstellbare L-Verschraubung mit
Schaft und Einschraubstutzen**

Einschraubgewinde: Whitworth-Rohrgew.
(zylindr. DIN ISO 228)

RE 571



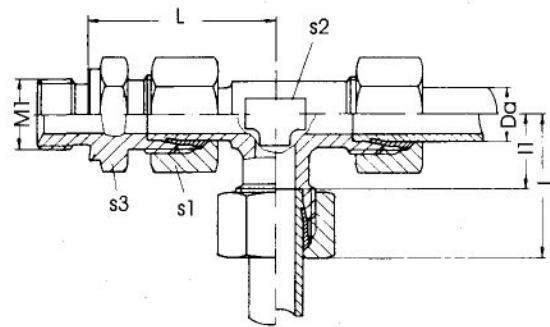
	PN	Da	G	s1	s2	s3	L	I	I1	RE-No.
L	250	6	G 1/8 A	14	12	14	34,5	27	12,0	RE-EVLV-06L-R 1/8"
		8	G 1/4 A	17	12	19	37,5	29	14,0	RE-EVLV-08L-R 1/4"
		10	G 1/4 A	19	14	19	40,0	30	15,0	RE-EVLV-10L-R 1/4"
		12	G 3/8 A	22	17	22	42,0	32	17,0	RE-EVLV-12L-R 3/8"
		15	G 1/2 A	27	19	27	46,0	36	21,0	RE-EVLV-15L-R 1/2"
	160	18	G 1/2 A	32	24	27	50,0	40	23,5	RE-EVLV-18L-R 1/2"
		22	G 3/4 A	36	27	32	55,0	44	27,5	RE-EVLV-22L-R 3/4"
	100	28	G 1 A	41	36	41	59,0	47	30,5	RE-EVLV-28L-R 1"
		35	G 1 1/4 A	50	41	50	68,5	56	34,5	RE-EVLV-35L-R 1 1/4"
		42	G 1 1/2 A	60	50	55	75,0	63	40,0	RE-EVLV-42L-R 1 1/2"
S	630	6	G 1/4 A	17	12	19	40,0	31	16,0	RE-EVLV-06S-R 1/4"
		8	G 1/4 A	19	14	19	42,5	32	17,0	RE-EVLV-08S-R 1/4"
		10	G 3/8 A	22	17	22	45,0	34	17,5	RE-EVLV-10S-R 3/8"
		12	G 3/8 A	24	17	22	48,0	38	21,5	RE-EVLV-12S-R 3/8"
		14	G 1/2 A	27	19	27	54,0	40	22,0	RE-EVLV-14S-R 1/2"
	400	16	G 1/2 A	30	24	27	55,0	43	24,5	RE-EVLV-16S-R 1/2"
		20	G 3/4 A	36	27	32	65,0	48	26,5	RE-EVLV-20S-R 3/4"
		25	G 1 A	46	36	41	73,0	54	30,0	RE-EVLV-25S-R 1"
	250	30	G 1 1/4 A	50	41	50	78,5	62	35,5	RE-EVLV-30S-R 1 1/4"
		38	G 1 1/2 A	60	50	55	89,0	72	41,0	RE-EVLV-38S-R 1 1/2"



Einstellbare L-Verschraubung mit Schaft

Einschraubgewinde: Metrisches Gewinde (zylindr. DIN 13)

RE 572

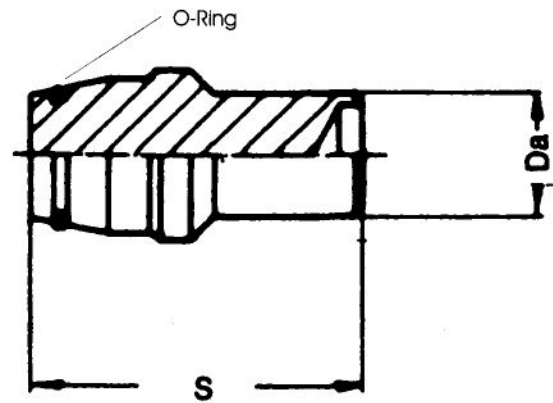


	PN	Da	M1	s1	s2	s3	L	I	I1	RE-No.
L	250	6	M 10 x 1	14	12	14	34,5	27	12,0	RE-EVLV-06L-M 10 x 1
		8	M 12 x 1,5	17	12	17	37,5	29	14,0	RE-EVLV-08L-M 12 x 1,5
		10	M 14 x 1,5	19	14	19	40,0	30	15,0	RE-EVLV-10L-M 14 x 1,5
		12	M 16 x 1,5	22	17	22	42,0	32	17,0	RE-EVLV-12L-M 16 x 1,5
		15	M 18 x 1,5	27	19	24	46,0	36	21,0	RE-EVLV-15L-M 18 x 1,5
	160	18	M 22 x 1,5	32	24	27	50,0	40	23,5	RE-EVLV-18L-M 22 x 1,5
		22	M 26 x 1,5	36	27	32	55,0	44	27,5	RE-EVLV-22L-M 26 x 1,5
	100	28	M 33 x 2	41	36	41	57,0	47	30,5	RE-EVLV- 28L-M 33 x 2
		35	M 42 x 2	50	41	50	68,5	56	34,5	RE-EVLV- 35L-M 42 x 2
		42	M 48 x 2	60	50	55	75,0	63	40,0	RE-EVLV- 42L-M 48 x 2
S	630	6	M 12 x 1,5	17	12	17	40,0	31	16,0	RE-EVLV-06S-M 12 x 1,5
		8	M 14 x 1,5	19	14	19	42,5	32	17,0	RE-EVLV-08S-M 14 x 1,5
		10	M 16 x 1,5	22	17	22	45,0	34	17,5	RE-EVLV-10S-M 16 x 1,5
		12	M 18 x 1,5	24	17	24	48,0	38	21,5	RE-EVLV-12S-M 18 x 1,5
		14	M 20 x 1,5	27	19	27	54,0	40	22,0	RE-EVLV-14S-M 20 x 1,5
	400	16	M 22 x 1,5	30	24	27	55,0	43	24,5	RE-EVLV-16S-M 22 x 1,5
		20	M 27 x 2	36	27	32	65,0	48	26,5	RE-EVLV-20S-M 27 x 2
		25	M 33 x 2	46	36	41	73,0	54	30,0	RE-EVLV-25S-M 33 x 2
	250	30	M 42 x 2	50	41	50	78,5	62	35,5	RE-EVLV-30S-M 42 x 2
		38	M 48 x 2	60	50	55	89,0	72	41,0	RE-EVLV-38S-M 48 x 2



Verschußstopfen mit O-Ring

RE 589



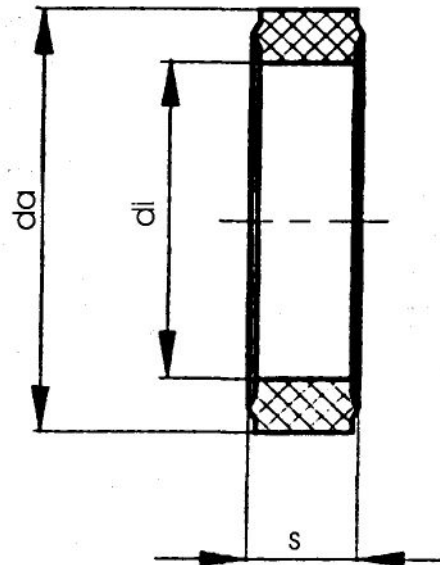
	PN	Da	S	RE-No.
LL	100	4	17,0	RE-VSO-04LL
		6	17,0	RE-VSO-06LL
		8	17,0	RE-VSO-08LL
L	250	6	17,5	RE-VSO-06L
		8	18,5	RE-VSO-08L
		10	19,0	RE-VSO-10L
		12	19,0	RE-VSO-12L
		15	19,5	RE-VSO-15L
	160	18	20,0	RE-VSO-18L
		22	20,5	RE-VSO-22L
	100	28	21,5	RE-VSO-28L
		35	23,5	RE-VSO-35L
42		23,5	RE-VSO-42L	
S	630	6	17,0	RE-VSO-06S
		8	18,5	RE-VSO-08S
		10	19,0	RE-VSO-10S
		12	19,0	RE-VSO-12S
		14	20,0	RE-VSO-14S
		16	20,0	RE-VSO-16S
	400	20	24,0	RE-VSO-20S
		25	25,0	RE-VSO-25S
		30	26,5	RE-VSO-30S
	250	38	28,5	RE-VSO-38S



Dichtkantenringe für Außengewinde

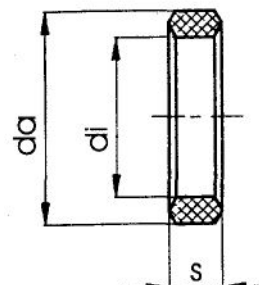
RE 597

G/M1	da	di	s	RE-No.
G 1/8 A	14	9,8	4	RE-DKR-R 1/8"A
G 1/4 A	18	13,3	3	RE-DKR-R 1/4"A
G 3/8 A	22	16,8	3	RE-DKR-R 3/8"A
G 1/2 A	26	21,1	4	RE-DKR-R 1/2"A
G 3/4 A	32	27,1	4	RE-DKR-R 3/4"A
G 1 A	39	33,3	6	RE-DKR-R 1"A
G 1 1/4 A	49	42,1	6	RE-DKR-R 1 1/4"A
G 1 1/2 A	55	48,1	6	RE-DKR-R 1 1/2"A
M 10 x 1	14	10,0	4	RE-DKR-M 10 x 1,0 A
M 12 x 1,5	17	12,1	3	RE-DKR-M 12 x 1,5 A
M 14 x 1,5	19	14,1	3	RE-DKR-M 14 x 1,5 A
M 16 x 1,5	21	16,1	3	RE-DKR-M 16 x 1,5 A
M 18 x 1,5	23	18,1	4	RE-DKR-M 18 x 1,5 A
M 20 x 1,5	25	20,1	4	RE-DKR-M 20 x 1,5 A
M 22 x 1,5	27	22,1	4	RE-DKR-M 22 x 1,5 A
M 26 x 1,5	31	26,1	4	RE-DKR-M 26 x 1,5 A
M 27 x 2	32	27,1	4	RE-DKR-M 27 x 2,0 A
M 33 x 2	39	33,1	5	RE-DKR-M 33 x 2,0 A
M 42 x 2	49	42,1	6	RE-DKR-M 42 x 2,0 A
M 48 x 2	55	48,1	6	RE-DKR-M 48 x 2,0 A



Dichtkantenring für Innengewinde

G/M1	da	di	s	RE-No.
G 1/4	11,3	6,0	4,5	RE-DKR-R 1/4" I
G 1/2	18,5	12,2	5,0	RE-DKR-R 1/2" I
M 20 x 1,5	17,5	12,0	5,0	RE-DKR-M20 x 1,5 I

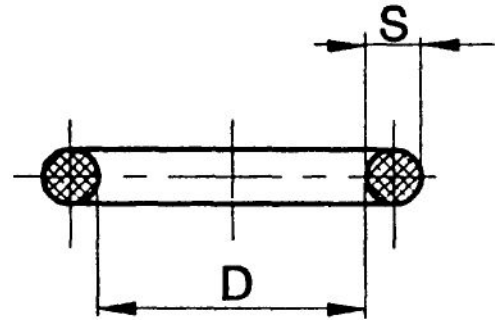




O-Ring

Material: Viton

RE 598



O-Ring	D x S	RE-No.
6	4,0 x 1,5	RE-OR-06
8	6,0 x 1,5	RE-OR-08
10	7,5 x 1,5	RE-OR-10
12	9,0 x 1,5	RE-OR-12
14	10,0 x 2,0	RE-OR-14
15	12,0 x 2,0	RE-OR-15
16	12,0 x 2,0	RE-OR-16
18	15,0 x 2,5	RE-OR-18
20	16,3 x 2,4	RE-OR-20
22	20,0 x 2,0	RE-OR-22
25	20,3 x 2,4	RE-OR-25
28	26,0 x 2,0	RE-OR-28
30	25,3 x 2,4	RE-OR-30
35	32,0 x 2,5	RE-OR-35
38	33,3 x 2,4	RE-OR-38
42	38,0 x 2,5	RE-OR-42